



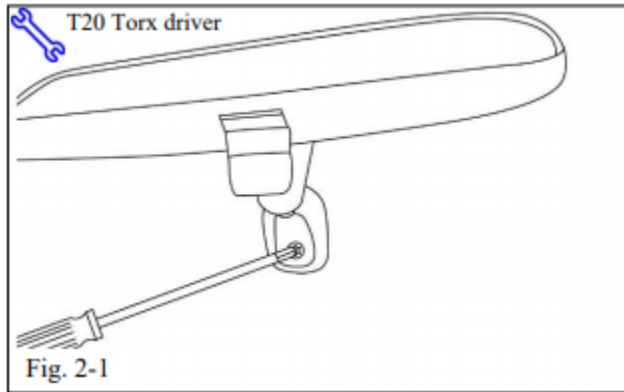
Toyota Corolla 2009-2013 Mirror Removal

iBeamUSA.com
MetraDealer.com
techsupport@metra-autosound.com

 **TECH SUPPORT**
800-253-8324

Screw on Type Mirror

Use a T20 Torx driver to loosen the torx screw in the mirror mount and slide the mirror up and off the the windshield. (figure 2-1)



Clip-on type Mirror

- 1) Disengage the two claws and remove the mirror cover from the mirror base. (figure 2-2)
- 2) Pull the lever in the direction indicated by the arrow in the illustration and slide the inner rearview mirror assembly upward to remove it. (figure 2-2)

