



TE-BSM User Manual

iBeamUSA.com
MetraDealer.com
techsupport@metra-autosound.com



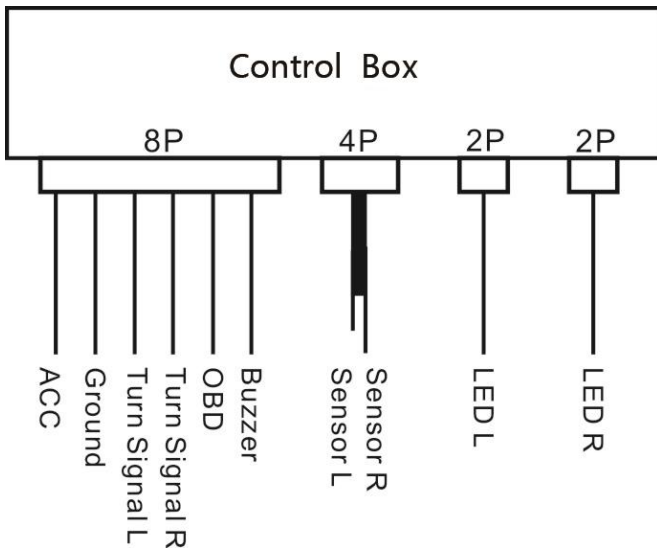
TECH SUPPORT
800-253-8324

Features

- The TE-BSM “Blind Spot Monitor” is designed with the latest microwave technology to warn the driver of vehicles approaching adjacent lanes which may be in the driver’s blind spot.
- The TE-BSM is ready and active once the vehicle has been started, no human interaction required.
- A visual L.E.D. indicator will turn on if a sensor detects an approaching vehicle in the adjacent lane. There are two L.E.D. indicators, one for the left side, and one for the right side.
- If a turn signal is used on the same side a vehicle is detected, the L.E.D. indicator will flash, and the TE-BSM will provide an audible beep 3 times.

Note: The TE-BSM will only function while a vehicle is approaching. For example, a vehicle approaching from behind will trigger the TE-BSM. But a vehicle being passed in an adjacent lane will not trigger the TE-BSM.

Specifications



Installation

1. Sensors

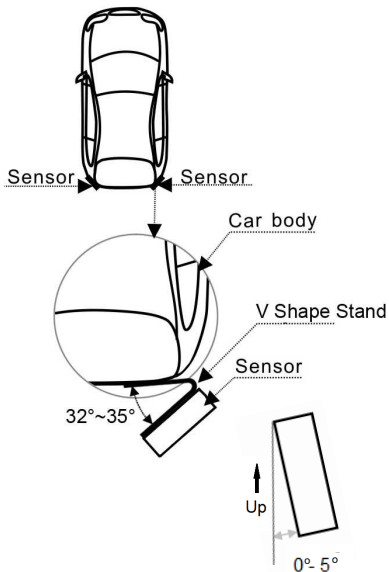
Take off rear plastic bumper, install sensors at least 50cm high at two rear corners of car body. Top surface of sensor should be parallel to the ground, or angled upwards up to 5 degrees. Keep horizontal line "→" on top surface parallel to the ground (it does no matter if arrow mark points towards front or back side), the line should form 32 to 35 degree angle to backside of car. If the corner area is not straight, you can move the sensor slight inside to get a better location.

Note: The two sensors are interchangeable, but you need connect sensor on the left side to L socket, and sensor on the right side to R socket on wire harness.

V shape metal stand

V shape stand's default angle is in the desired angle range. However due to mount location, the mount may have to be compressed or stretched to reach the optimal 32 - 35 degrees range. Affix the bracket to the vehicle with the 3M sticker after mount the sensor to the bracket.

Note: Make sure to thoroughly clean mounting surface and that the full surface of the 3M sticker is in contact with the mounting surface.



2. Control Box

Put the control box in a convenient location for wiring on the left side in driver's compartment. If the control box must be located on the right side and the cables for left sensor and LED indicator are not long enough, you can exchange left and right wiring.

3. LED Indicators

Stick the LED indicators inside close to the side mirrors, where they can be observed without blocking view. Run cable and connect to LED connector corresponding to that side of the vehicle.

4. Buzzer

Hide buzzer inside driver's compartment where it is audible. Run cable and connect to buzzer connector.

5. Cable Connection

Red power cable to ACC+, Black cable to Ground, Yellow cable to left turn+, White cable to right turn+.

Connect cables to control box, matching colors and pin numbers

6. Test

Verify that system is working by approaching the vehicle in the detection zone and confirm visual and audible notifications.

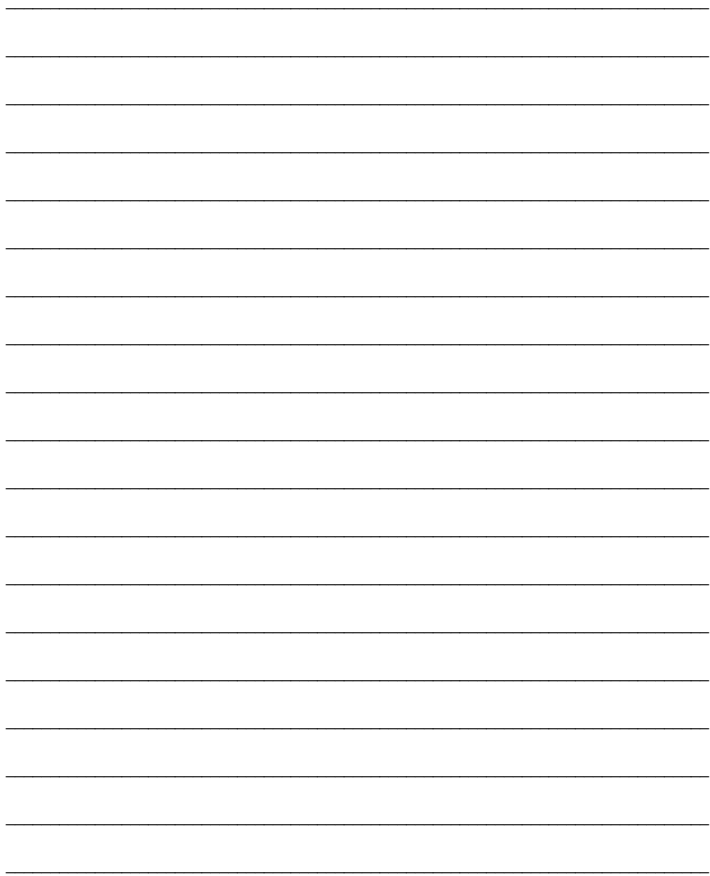
Note: When running cables, please avoid routing cabling through areas of extreme heat or that could pose a potential to pinch the cable.

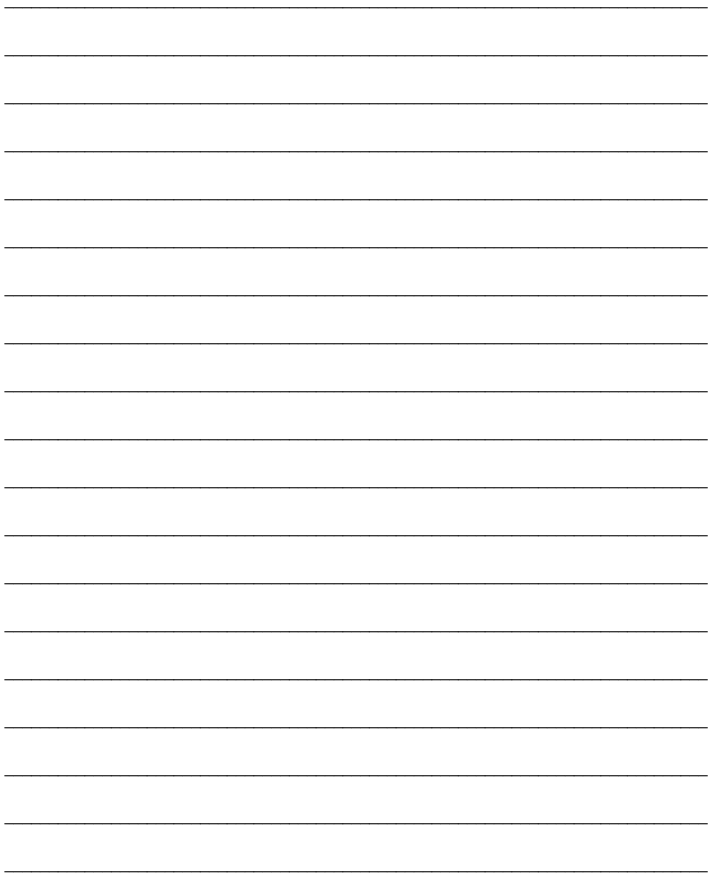
7. Attention

- * Keep bumper outside sensor clean from ice, snow, mud, etc..
- * Avoid metal articles moving in trunk close to sensor.
- * Heavy rain & thunder may affect performance.
- * Radar speed-detection on highway may affect performance.
- * Relative speed lower than 0.15mph of approaching car may result in delay of warning.

8. OBD Function

When the OBD cable is connected to the car OBD socket, the system will start to work only when vehicle speed is more than 6 mph.





IMPORTANT

If you are having difficulties with the installation of this product, please call our Tech Support line at 1-800-253-TECH. Before doing so, look over the instructions a second time, and make sure the installation was performed exactly as the instructions are stated. Please have the vehicle apart and ready to perform troubleshooting steps before calling.



KNOWLEDGE IS POWER

Enhance your installation and fabrication skills by enrolling in the most recognized and respected mobile electronics school in our industry.

Log onto www.installerinstitute.com or call 800-354-6782 for more information and take steps toward a better tomorrow.



Metra recommends MECP certified technicians

Attention

When connecting with power cable, please make sure not to mistake the positive and negative pole, otherwise the fuse will blow immediately for security protection. If it happens, please replace the blown fuse with a new one with same specification, after connecting properly to the right pole. Don't randomly increase the current rating of the fuse, and NEVER use metal wire as a substitute.