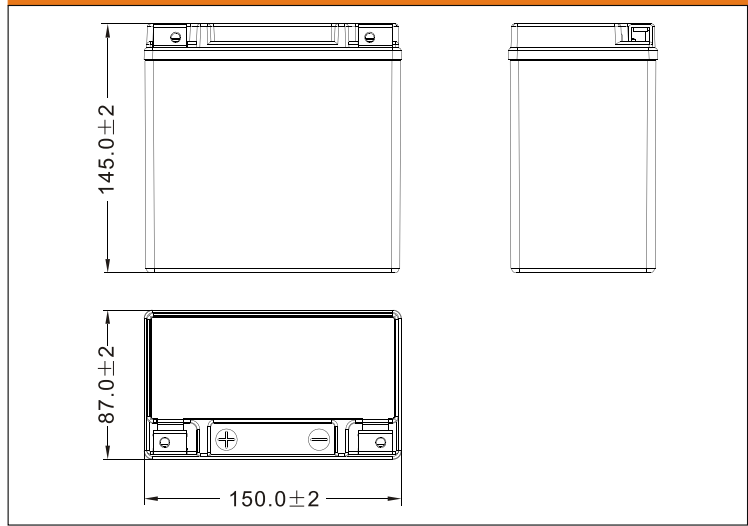


SHURIKEN® POWER SPORTS

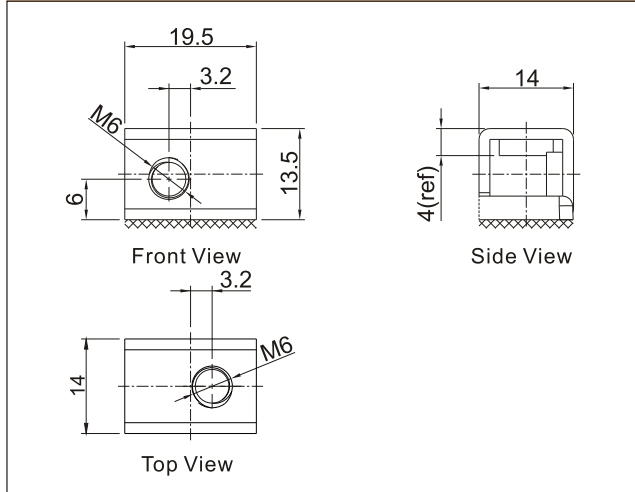
SK-BTX14-BS [12V12Ah]



Dimensions (mm)



Standard Terminal (mm)

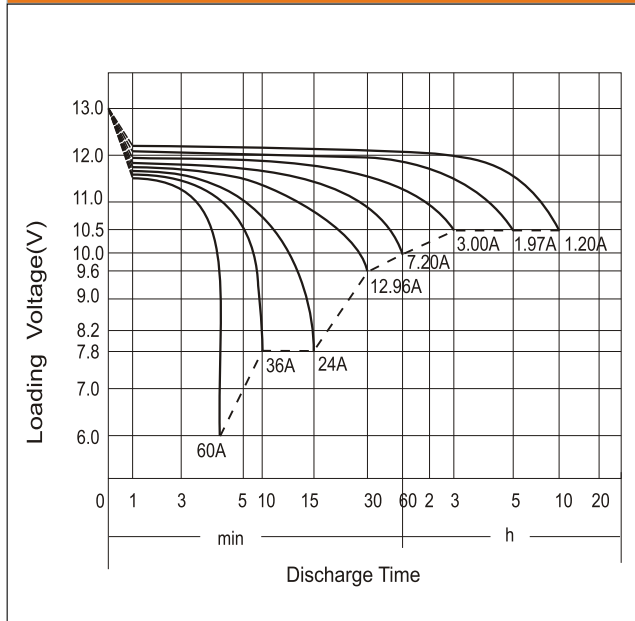


Physical Specification

Nominal Voltage		12V
Nominal Capacity (10HR)		12AH
Dimension	Length	150 ± 2mm (5.91 inches)
	Width	87 ± 2mm (3.43 inches)
	Container Height	145 ± 2mm (5.71 inches)
	Total Height (with Terminal)	145 ± 2mm (5.71 inches)
Weight	Battery(with acid):	Approx 4.6kg (10.14lbs)
	Electrolyte:	Approx 0.9kg (1.99lbs)

* Sealed and non-spillable AGM battery
 * Maintenance-free
 * Powerful 230 cold cranking amps
 * Shipped pre-charged and ready to install

Discharge Characteristics (25°C, 77°F)



Electrical Specification

Rated Capacity	10 hour rate (1.20 A)	12.00AH
	5 hour rate (1.97 A)	9.84AH
	2 hour rate (4.20 A)	8.40AH
	1 hour rate (7.20 A)	7.20AH
	0.5 hour rate (12.96 A)	6.48AH
Capacity affected by Temperature	40 °C (104 °F)	106%
	25 °C (77 °F)	100%
	0 °C (32 °F)	86%
	-15 °C (5 °F)	65%
Self Discharge	Approximately 3% per month (25°C (77°F))	
Charging Methods	Full Charge	Constant-Voltage Charge: Initial charging current: less than 3.6A Voltage: 14.40 V ~ 15.00 V at 25 °C (77 °F) Charging time: 15 ~18h Constant-Current Charge: Charging current: 0.1C ₁₀ =1.20A, when charging voltage up to 14.40V, continue to charge 4h
	Floating Charge	No limit on Initial charging current Voltage: 13.50 V ~ 13.80 V at 25 °C (77 °F)

Sales Office

Metra Electronics
 460 Walker Street
 Holly Hill, FL 32117-2699
 National: 800.221.0932
 Local: 386.257.1186
 Fax: 800.647.8091

For International Sales:
 Maurice.soto@metra-autosound.com
 460 Walker Street
 Tel: 386-257-1186 ext.2313
 Fax: 386.257.9160

For Technical Support:
 Techsupport@metra-autosound.com
 Tel: 386-257-1187
 800.253.TECH (8324)