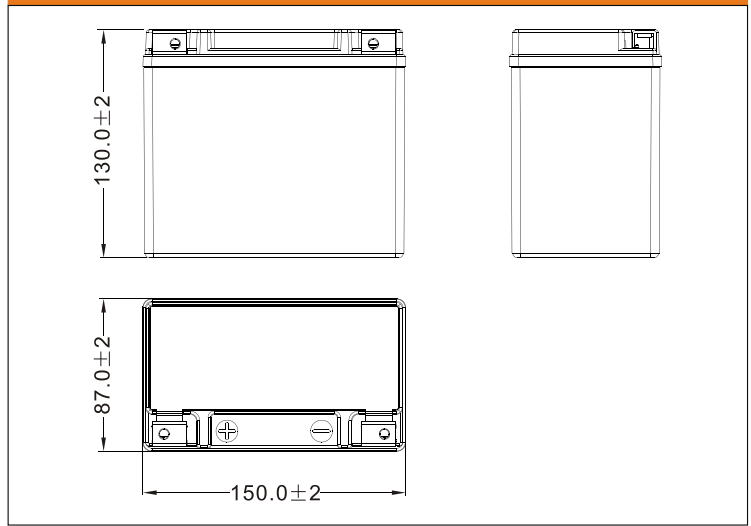


SHURIKEN® POWER SPORTS

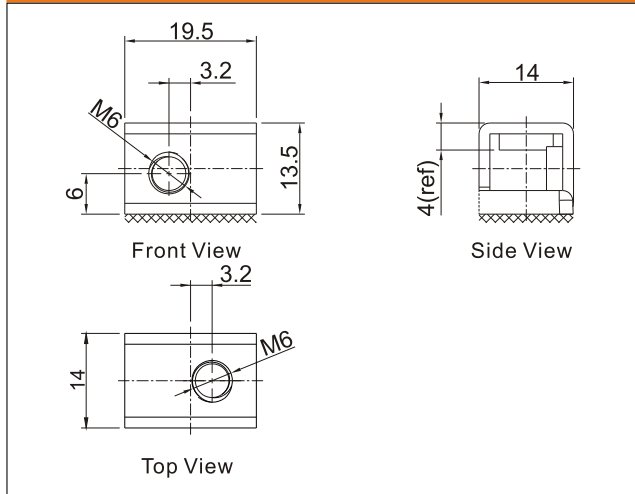
SK-BTX12-BS [12V10Ah]



Dimensions (mm)



Standard Terminal (mm)

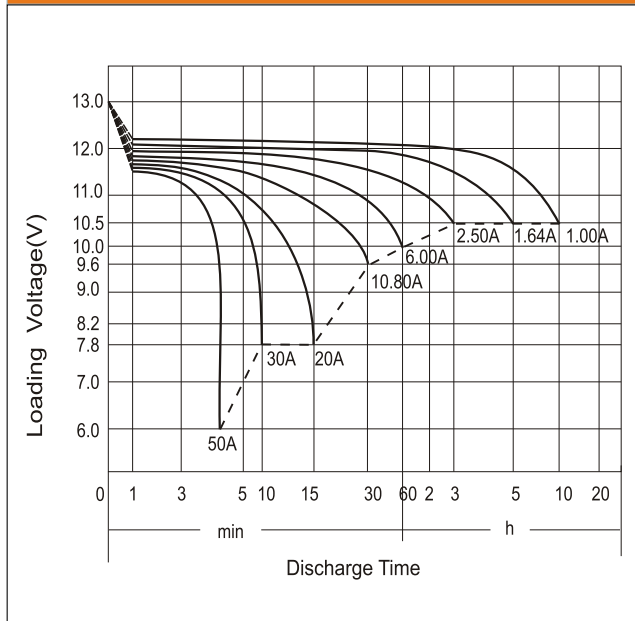


Physical Specification

Nominal Voltage		12V
Nominal Capacity (10HR)		10AH
Dimension	Length	150 ± 2mm (5.91 inches)
	Width	87 ± 2mm (3.43 inches)
	Container Height	130 ± 2mm (5.12 inches)
	Total Height (with Terminal)	130 ± 2mm (5.12 inches)
Weight	Battery(with acid):	Approx 4.0kg (8.82lbs)
	Electrolyte:	Approx 0.7kg (1.54lbs)

- * Sealed and non-spillable AGM battery
- * Maintenance-free
- * Powerful 180 cold cranking amps
- * Shipped pre-charged and ready to install

Discharge Characteristics (25°C, 77°F)



Electrical Specification

Rated Capacity	10 hour rate (1.00 A)	10.00AH
	5 hour rate (1.64 A)	8.20AH
	2 hour rate (3.50 A)	7.00AH
	1 hour rate (6.00 A)	6.00AH
	0.5 hour rate (10.80 A)	5.40AH
Capacity affected by Temperature	40 °C (104 °F)	106%
	25 °C (77 °F)	100%
	0 °C (32 °F)	86%
	-15 °C (5 °F)	65%
Self Discharge	Approximately 3% per month (25°C (77 °F))	
Charging Methods	Full Charge	Constant-Voltage Charge: Initial charging current: less than 3.0A Voltage: 14.40 V ~ 15.00 V at 25 °C (77 °F) Charging time: 15 ~18h Constant-Current Charge: Charging current: 0.1C ₁₀ =1.00A, when charging voltage up to 14.40V, continue to charge 4h
	Floating Charge	No limit on Initial charging current Voltage: 13.50 V ~ 13.80 V at 25 °C (77 °F)

Sales Office

Metra Electronics
460 Walker Street
Holly Hill, FL 32117-2699
National: 800.221.0932
Local: 386.257.1186
Fax: 800.647.8091

For International Sales:
Maurice.soto@metra-autosound.com
460 Walker Street
Tel: 386-257-1186 ext.2313
Fax: 386.257.9160

For Technical Support:
Techsupport@metra-autosound.com
Tel: 386-257-1187
800.253.TECH (8324)