

Diag #1

Polaris 4 pin To MPS-RZ# H4/9003 Connection Diagram

The H4/9003 Connector shown refers to the adaptors that are included with the MPS-RZxxx Lights.

This diagram **DOES NOT** reference the connector attached to the MPS-RZxxx Light assembly.

This diagram illustrates how to correctly assemble the mating harness which will then connect to the headlight assemblies

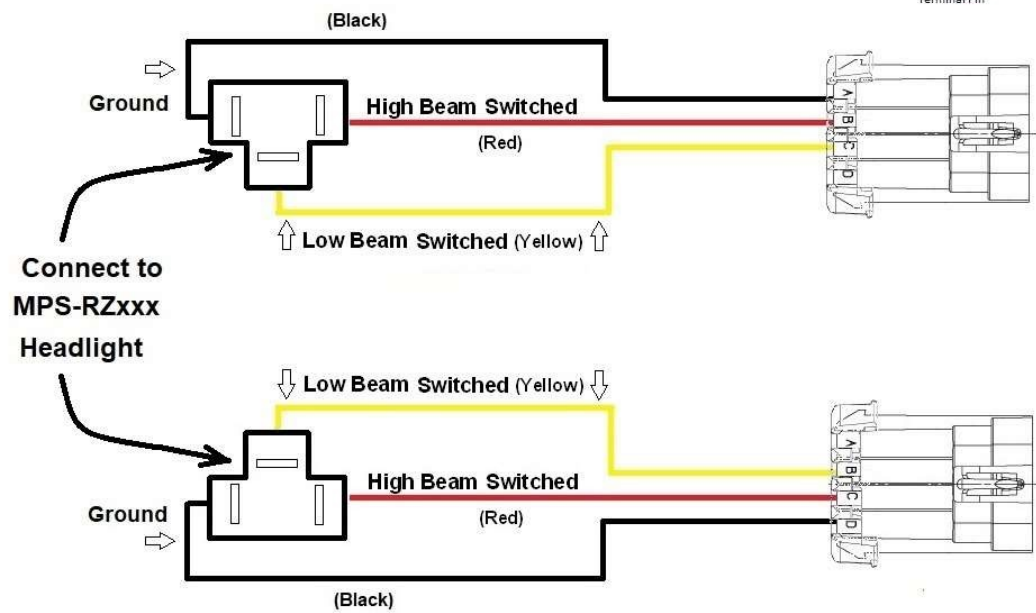
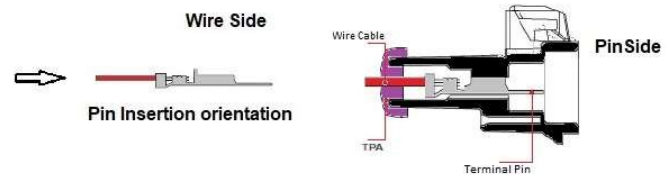
TPA 4 Pin Delphi Connector



Looking at the PIN side

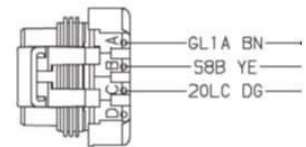
- STEP 1:** PLUG LEADS TO CONNECTOR ASSEMBLY PER PRINT.
- STEP 2:** AFTER ALL LEADS ARE PLUGGED, ATTACH THE TPA TO CONNECTOR.
- A. HOLD CONNECTOR WITH PLUGGING SIDE AWAY FROM HAND. HOLD TPA WITH FLAT SIDE TOWARD PALM.
 - B. LINE UP NIBS WITH CORRESPONDING GROOVES, AND VERIFY ONE LEAD PER CAVITY. APPLY PRESSURE WITH FINGERS UNTIL TPA SNAPS INTO PLACE.

H4/9003 Pinout Looking into connector



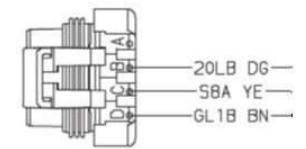
H4/9003 Pinout Looking into connector

Polaris OEM Headlight 4 Pin Connector



RH HEADLIGHT

PIN	FUNCTION
A	GROUND
B	HIGH BEAM
C	LOW BEAM
D	NONE



LH HEADLIGHT

PIN	FUNCTION
A	NONE
B	LOW BEAM
C	HIGH BEAM
D	GROUND

Diag #2

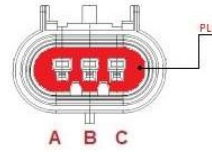
Polaris 3 pin To MPS-RZ# H4/9003
Connection Diagram

The H4/9003 Connector shown refers to the adaptors that are included with the MPS-RZxxx Lights.

This diagram **DOES NOT** reference the connector attached to the MPS-RZxxx Light assembly.

This diagram illustrates how to correctly assemble the mating harness which will then connect to the headlight assemblies

3 Pin Delphi Connector
(H13)



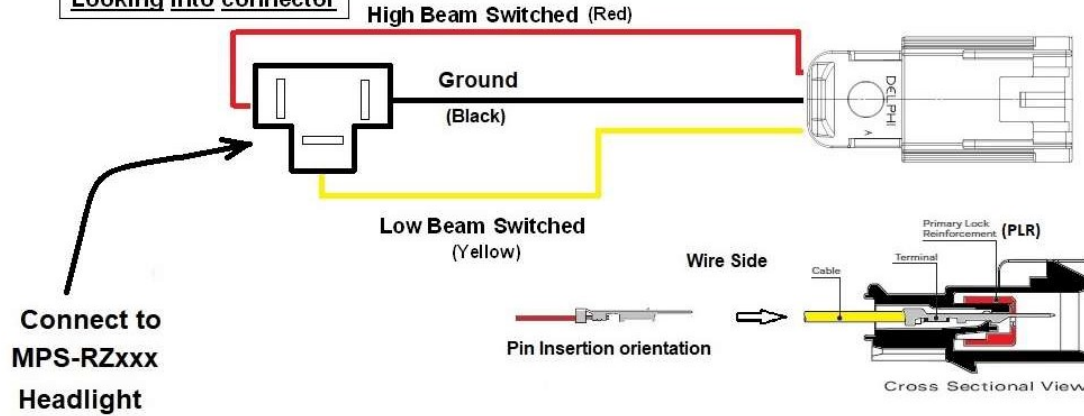
Looking at the PIN side

STEP 1: PLUG LEADS TO CONNECTOR ASSEMBLY PER PRINT.

STEP 2: AFTER ALL LEADS ARE PLUGGED, ATTACH THE PLR TO CONNECTOR.

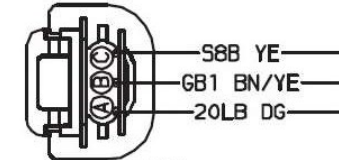
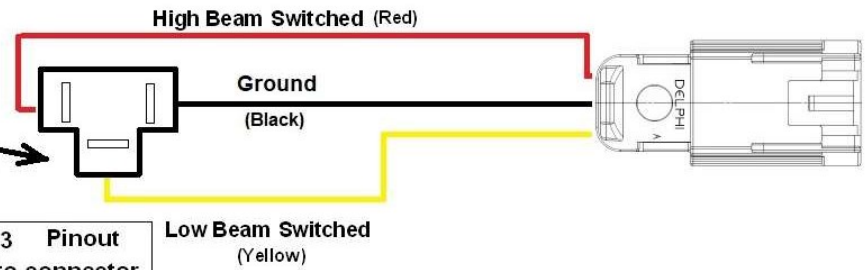
- A. HOLD CONNECTOR WITH WIRE SIDE IN HAND
- B. INSERT THE PLR, PIN ALINMENT IS IMPORTANT LINE UP PINS WITH THE 3 CORESPONDING LARGER HOLES TO THE TOP, VERIFY ONE PIN CAVITY PROTRUDING. WHILE APPLYING PRESSURE TO THE WIRE ENDS TO ENSURE PROPER SEATING, CAREFULLY PRESS THE PLR INTO PLACE WITH A STANDART FLAT SCREWDRIVER. WHEN IT CLICKS IT IS SEATED PROPERLY.

H4/9003 Pinout
Looking into connector



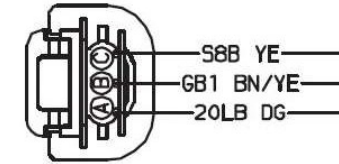
Connect to
MPS-RZxxx
Headlight

H4/9003 Pinout
Looking into connector



HEADLIGHT	
PIN	FUNCTION
A	LOW BEAM
B	GROUND
C	HIGH BEAM

Polaris OEM Headlight
4 Pin Connector



HEADLIGHT	
PIN	FUNCTION
A	LOW BEAM
B	GROUND
C	HIGH BEAM