

IMPORTANT

If you are having difficulties with the installation of this product, please call our Tech Support line at 1-800-253-TECH. Before doing so, look over the instructions a second time, and make sure the installation was performed exactly as the instructions are stated. Please have the vehicle apart and ready to perform troubleshooting steps before calling.



KNOWLEDGE IS POWER

Enhance your installation and fabrication skills by enrolling in the most recognized and respected mobile electronics school in our industry. Log onto www.installerinstitute.com or call 800-354-6782 for more information and take steps toward a better tomorrow.



Metra recommends MECP certified technicians



800.221.0932
iBeamUSA.com
460 Walker Street, Holly Hill, FL 32117



TE-NAVHC Manual

iBeamUSA.com
MetraDealer.com
techsupport@metra-autosound.com



1. Box Contents



Wiring



Tailgate handle/Camera

2. Applications

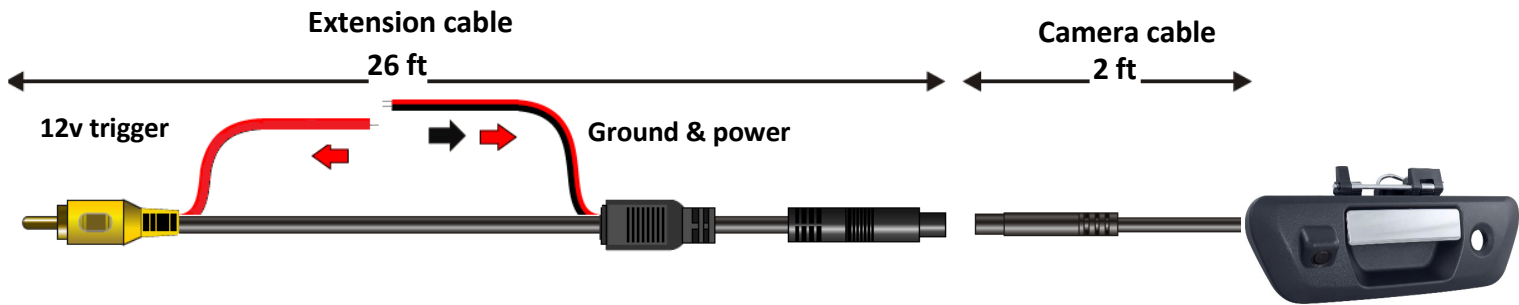
2015-up* Nissan Navara D23

*See iBEAMUSA.com for a full list of applications and year ranges

3. Installation

- Connect the **RED** wire to a 12V reverse trigger.
- Connect the **BLACK** wire to a chassis ground.
- Cut the **WHITE** loop to cancel the parking guide lines.

4. Wiring diagram



5. Specifications

| | |
|------------------------|---|
| Sensor | CMOS ¼ sensor |
| Resolution | 400 TV Lines |
| Field of View | Diagonal 168°, Horizontal 136°, Vertical 100° |
| Illumination | 0.1 Lux |
| IP Rating | IP69 |
| Parking Lines | Defeatable |
| Extension Cable | 26' |
| TV System | NTSC |
| Working Temp. | -20°C ~ 70°C |
| Warranty | 3 Years |