



**TE-MDC**  
Product Manual

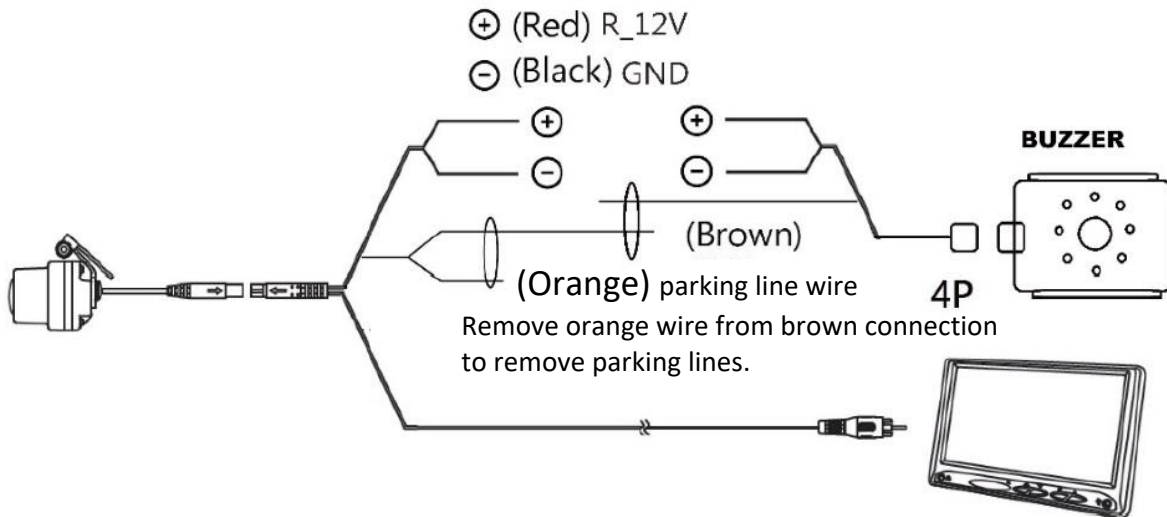


# 1. Box Contents



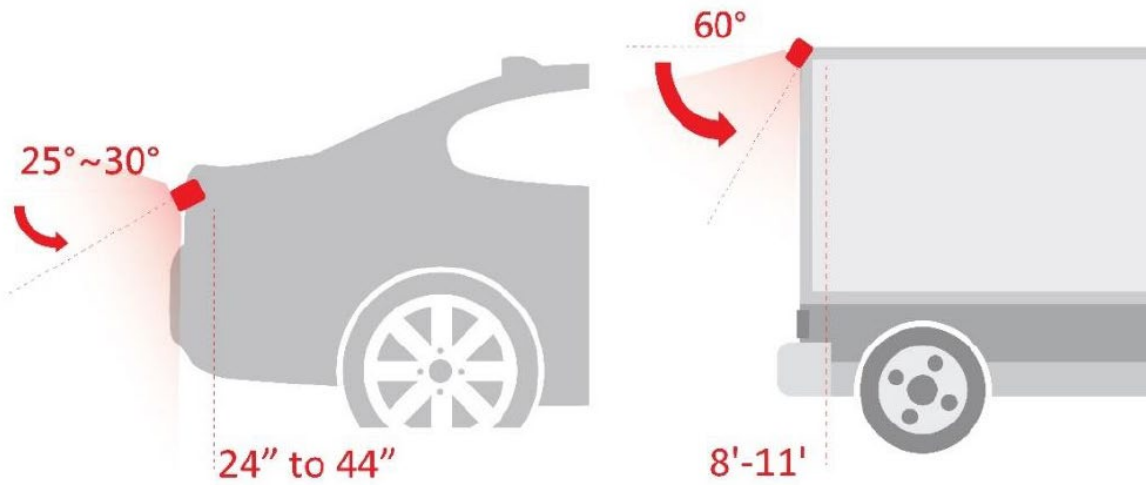
- a. Camera
- b. Buzzer
- c. Camera harness
- d. Buzzer harness

# 2. Connections



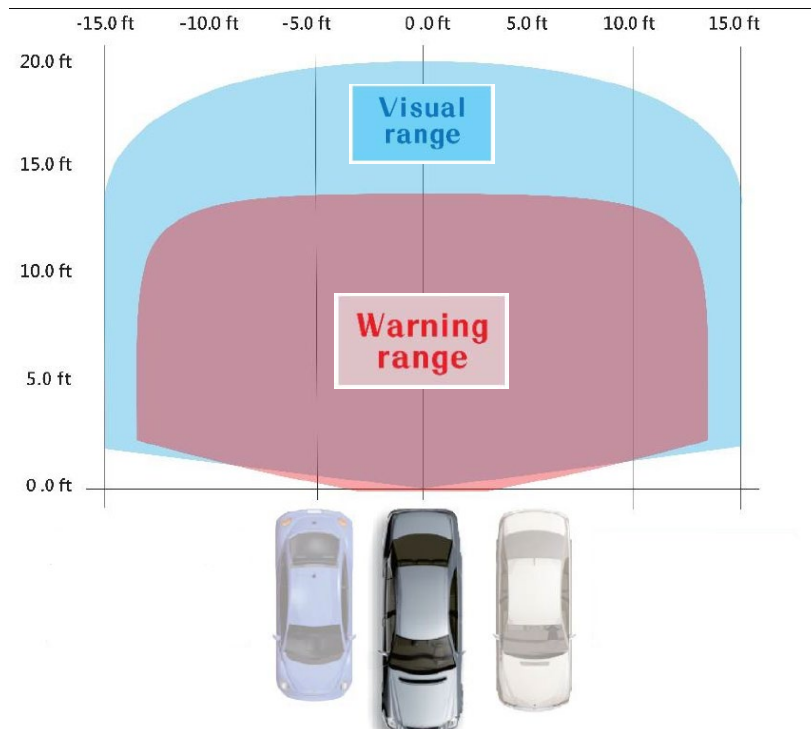
### 3. Mounting

Install the camera approximately in the center of the vehicle



### 4. Specifications

Camera Dimensions	39.5 X 28.5 X 32 mm
Field of view	170
Detection Range	180
Operating Voltage	8-24V DC
Operating Current	<200mA / 12V DC
Resolution	1280 X 960 (1.2m Pixel)
Dynamic range	More than 130 dB
AV output	RCA
Warning Method	Visual and Audio
IP rating	IP68



**IMPORTANT**

If you are having difficulties with the installation of this product, please call out Tech Support line at 386-257-2956. Before doing so, look over the instructions a second time, and make sure the installation was performed exactly as the instructions are stated. Please have the vehicle apart and ready to perform troubleshooting steps before calling.



**KNOWLEDGE IS POWER**

Enhance your installation and fabrication skills by enrolling in the most recognized and respected mobile electronics school in our industry. Log onto [www.installerinstitute.com](http://www.installerinstitute.com) or call 800-354-6782 for more information and take steps toward a better tomorrow.



**Metra recommends MECP  
certified technicians**



**386-257-1187**

**iBeamUSA.com**

460 Walker Street, Holly Hill, FL 32117