

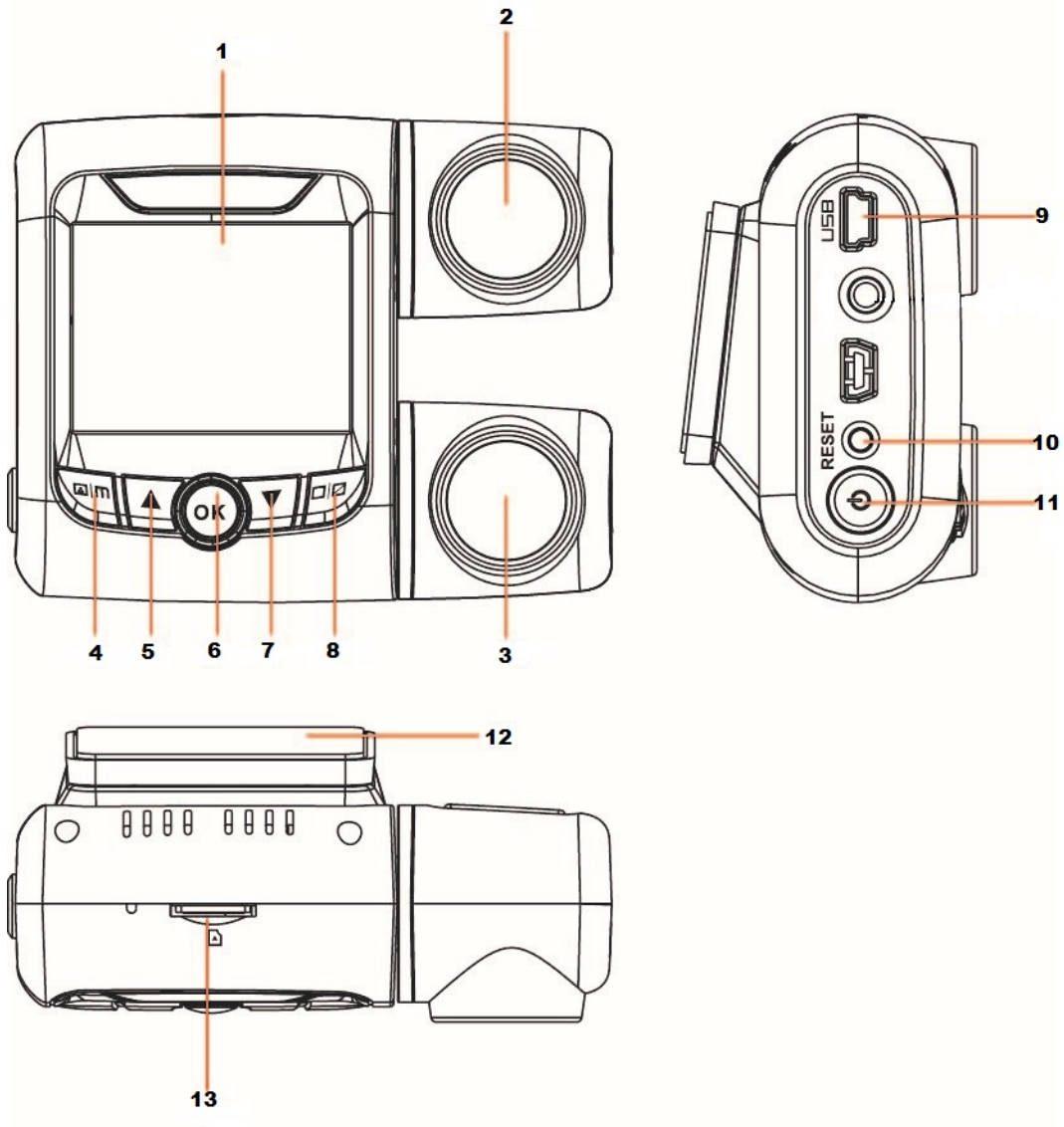


TE-DVR-DL User Manual



iBeamUSA.com
MetraDealer.com
techsupport@metra-autosound.com

TE-DVR-DL Components



1. Screen
2. Camera 1
3. Camera 2
4. Menu/mode button
5. Up button
6. Ok/enter button
7. Down button
8. Shortcut button
9. USB power
10. Reset button
11. Power button
12. Mounting bracket
13. SD card slot

TE-DVR-DL Features and Operating

Video recording

- Please insert the SD card before switching on the device. For the first time, please format the SD card, and then set up the system time, recording time, Video resolution, etc.
- The device will switch on and recording automatically when connected the power. During recording, press OK button to stop recording.
- In the standby mode, press OK button to start recording. During recording, the recording time show on the upper right corner of the screen start to move, and the recording mark in the upper left corner will also start to flash.

App installation

- For iOS devices, locate and install the app titled "RoadCam" from the app store.
- For Android device, locate and install the app titled "RoadCam" from the Play Store.



Wi-Fi connection

- Open Wifi: Under the recording mode, press Menu button to enter into the settings, press Up/Down button to choose the WIFI function, and then press OK button to open WIFI option. The WIFI app mode window will be displayed on the TE-DVR, showing the WIFI name (SSID:T3_***) and password(PWA2:12345678) . Open the app, RoadCam, on the smart phone. After the phone is successfully connected to the WIFI, it can be used to operate the device.
- Close Wifi: When you want close the WIFI, press the Menu button to exit WIFI.

Apply the Collision sensing Function

- Use the emergency lock function: during video recording, press UP button to lock the current file manually; the video will be save in the MOVIE\RO folder on the SD card.
- G-sensor: If the vehicle happened to get into a collision, the device will start the sensing function, and save the current video file in the MOVIE\RO folder.
Notice: Files in the RO Folder will not be saved at loop recording, users should always clean the memory card. Delete the unnecessary files in time to reduce the SD card space occupied.

Photo mode

- Switch on the device, press OK button to stop recording, and then press and hold the Menu button to enter into the photo mode, the top left corner of the screen show the camera icon.
- In the photo mode, press the Menu button to show the "Still" menu, press OK button to enter into the menu, press Up/Down button to choose the "Still" shooting options, and then press OK button to save the settings, press Menu again to exit the menu and back to photo mode. Now press OK button to take photo.

Playback mode

- During the Video recording/photo mode, press and hold Menu button to enter into the playback mode. Press Up/Down button to browse the file, and then press OK button to play/preview. If want delete file, stop playback and press Menu button to enter into delete mode. Press Up button/Down button to choose to delete/ format the file. Press Menu button the exit operation interface.

Technical Specifications

Screen	2.0 inch screen
Sensor	IMX323
Viewing angle	150 degree
Adjustable lens angle	320 degree
Video format	MP4
Photo format	JPG
Video resolution	FHD1080+FHD1080@30fps,720P@60fps
Photo resolution	4032*3024, 3648*2736, 3264*2448 2592*1944, 2048*1536, 1920*1080, 1280*960, 640*480
Seamless recording	Yes
WIFI	Support, Roadcam app
Language	Multi-language
Video recording time	3 min/5min/10min
Voice recording	Built-in microphone, voice recording can choose on or off
Memory card	SD card, max 128 GB
USB interface	Mini usb
Voltage	5V/2.0A
Storage Temperature	-20°C~70°C
Working Temperature	-10°C~60°C

IMPORTANT

If you are having difficulties with the installation of this product, please contact our Tech Support Department at 1-800-253-TECH. Before doing so, look over the Instructions a second time, and make sure the installation was performed exactly as the instructions are stated. Please have the vehicle apart and ready to perform troubleshooting steps before calling.



800.221.0932

iBeamUSA.com

460 Walker Street, Holly Hill, FL 32117



KNOWLEDGE IS POWER

Enhance your installation and fabrication skills by enrolling in the most recognized and respected mobile electronics school in our industry. Log onto www.installerinstitute.com or call 800-354-8782 for more information and take steps toward a better tomorrow.



Metra recommends MECP certified technicians