

Universal Accessory Camera With Multi-mounts and Active Parking Lines

Visit iBEAMUSA.com for more detailed information about the product and up-to-date vehicle specific applications.



Product Features

- Multiple mounts included - license plate and surface mount
- Improved power circuit
- Can be viewed while driving with compatible monitor
- Water resistant - IP67
- Active parking lines
- 3 year warranty

Multi-Mounting Options

A) License plate mount B) Surface mount

A



B



TABLE OF CONTENTS

Wiring.....	2-3
Specifications.....	4

Part Components

- Camera
- License plate and surface mount
- Extension harness (27 FT)
- Screws

TOOLS REQUIRED

- Wire stripper
- Tape
- Digital Multi-meter
- Cutter

Attention! When testing the aftermarket equipment, ensure that all factory equipment is connected before cycling the key to ignition.

CAMERA WIRING

Camera Wiring

There are two options for powering up the camera. This camera can be powered to be available while the vehicle is running or to only be used as a back-up camera.

Power camera with reverse

1. Remove the tail light from the vehicle to allow access to the light bulbs wiring. (If help is needed, review the vehicles owners manual section on replacing the tail light bulbs.) (Figure A)
2. Find the wiring that connects to the reverse bulb. There is normally 2 wires. (Figure B) Strip the insulation to expose the copper wire.
3. Using a Digital Multi-meter on the DC Voltage setting, to verify the reverse wire. (Figure C)
4. Connect the **RED** wire to the reverse wire. Connect the **BLACK** wire to a chassis ground.

NOTE: If lighting circuit has pulse width modulation, please use part # TE-CAMFLTR.

Power camera with accessory

1. Find a reliable 12 volt accessory source in the vehicle. This can be found at the radio if it is being replaced with an aftermarket radio.
2. Using a Digital Multi-meter on the DC Voltage setting, to verify the accessory wire. (Figure C)
3. Connect the **RED** wire to the accessory wire. Connect the **BLACK** wire to a chassis ground.

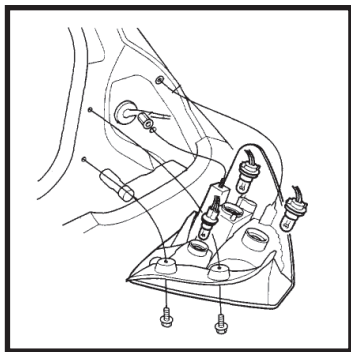


Figure A

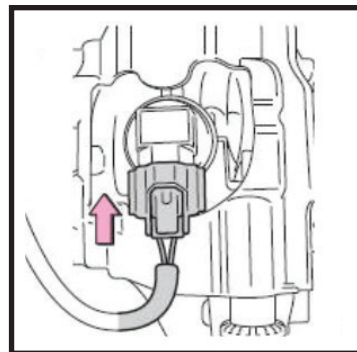


Figure B

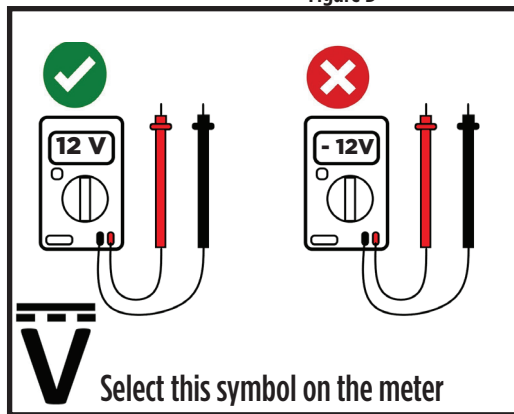


Figure C

Select this symbol on the meter

CAMERA WIRING (CONT.)

1. Run the extension cable to the front of the vehicle. (Figure A)
2. The **RED** wire on the **YELLOW RCA** can be used in different ways. This wire is the same **RED** wire that is at the other end of the extension cable. (Figure B.1)
 - If connected to **REVERSE** in the rear, the **RED** wire at the **YELLOW RCA** can be used as a reverse trigger for a monitor, mirror or aftermarket radio.
 - If connected to 12 volt accessory in the rear, please cap off this wire on the **YELLOW RCA**.
 - If a **REVERSE** or 12 volt accessory could not be found in the rear of the vehicle, this wire can be used to power the camera. If this solution is used, cap off the **RED** wire in the rear.
3. Connect the **YELLOW RCA** to the backup camera or video input of the monitor

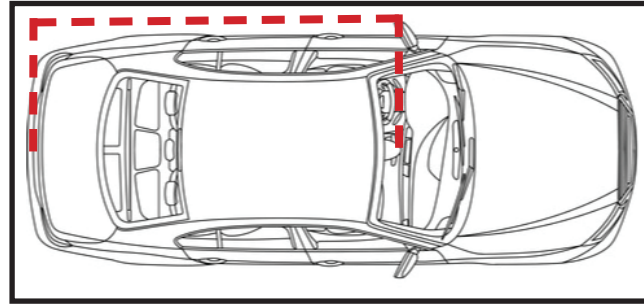


Figure A

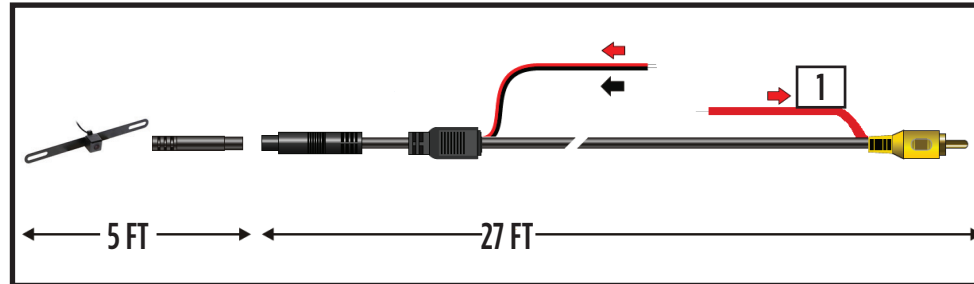


Figure B



Sensor	CMOS II
Effective Pixel	736 X 592
Sync Frequency	NTSC 60 HZ
Resolution	600 TV Lines
S/N Ratio	More than 48dB
Current Consumption	No more than 280mW
Power Supply	DC 12V +- 10%
Operating Temp.	-22 ~ 176 F
Storage Temp.	-40 ~ 176 F
Viewing Angle (Dia.)	170
Water Resistance	IP67
Min. Illumination	0.5/F1.2 LUX

Having difficulties? We're here to help.



Contact our Tech Support line at:
386-257-1187



Or via email at:
techsupport@metra-autosound.com

Tech Support Hours (Eastern Standard Time)

Monday - Friday: 9:00 AM - 7:00 PM

Saturday: 10:00 AM - 7:00 PM

Sunday: 10:00 AM - 4:00 PM



KNOWLEDGE IS POWER

Enhance your installation and fabrication skills by enrolling in the most recognized and respected mobile electronics school in our industry. Log onto www.installerinstitute.com or call 800-354-6782 for more information and take steps toward a better tomorrow.



**Metra Recommends MECP
certified technicians**