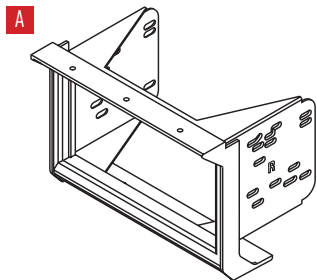




KIT COMPONENTS

- A) Radio housing • B) Phillips screws (5)



Polaris RZR 2014-2019

Visit MetraOnline.com for more detailed information about the product and up-to-date vehicle specific applications

KIT FEATURES

- ISO DDIN radio provision
- Replaces pocket/cover-plate
- Textured to match factory finish

APPLICATIONS

900	2015-2019	S 4 1000	2019
S 900	2015-2019	XP 4 1000	2014-2019
4 900 EPS	2015-2017	XP TURBO	2016-2019
S4 900 EPS	2016-2018	XP 4 TURBO	2016-2018
900 XC EDITION	2015-2017	XP TURBO S	2018-2019
XP1000	2014-2019	XP 4 TURBO S	2019
S 1000	2016-2019		

TABLE OF CONTENTS

Dash Disassembly	2
Kit Assembly	3

TOOLS REQUIRED

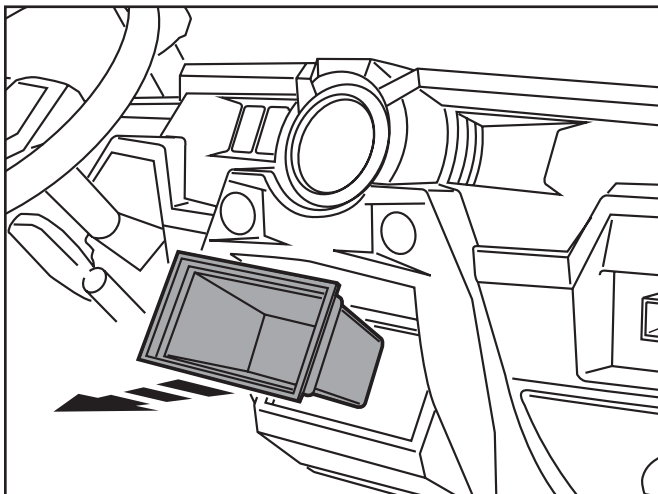
- Panel removal tool • Phillips screwdriver
- 1/8" drill bit

Attention! Let the vehicle sit with the key out of the ignition for a few minutes before removing the factory radio. When testing the aftermarket equipment, ensure that all factory equipment is connected before cycling the key to ignition.

DASH DISASSEMBLY

1. Remove the pocket from the lower dashboard. (Figure A)

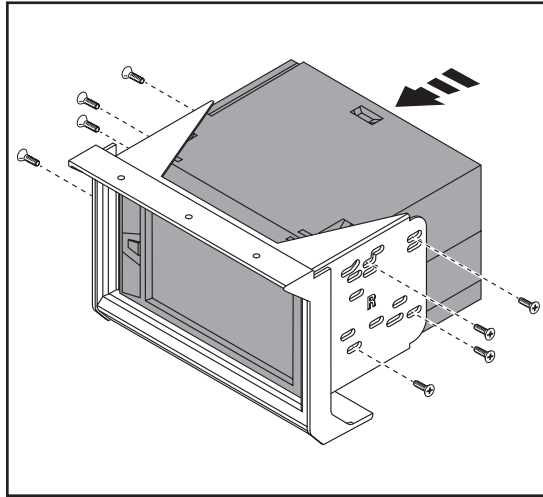
Continue to Kit Assembly



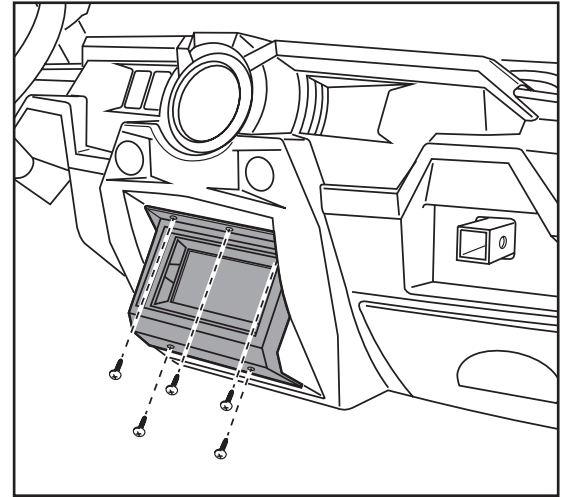
(Figure A)

KIT ASSEMBLY

1. Slide the radio into the **radio housing**, then secure using screws supplied with the radio. (Figure A)
2. Complete all necessary connections to the radio, then test the radio for proper operation. Use Metra part number 44-UA20 (sold separately) for an AM/FM antenna.
3. Slide the radio assembly into the dash. Pre-drill (5) pilot holes in the dash using a 1/8" drill bit. Using a manual screwdriver, secure the radio assembly to the dash using (5) Phillips screws provided. Do not overtighten! (Figure B)



(Figure A)



(Figure B)



MPS-RZR01

INSTALLATION INSTRUCTIONS



If you are having difficulties with the installation of this product, contact our Tech Support line either by phone at **386-257-1186**, or email at **techsupport@metra-autosound.com**. Before doing so, look over the instruction booklet a second time and ensure that the installation was performed exactly as the instruction booklet is stated. Have the vehicle apart and ready to perform troubleshooting steps before contacting Metra/Axxess Tech Support.



® KNOWLEDGE IS POWER

Enhance your installation and fabrication skills by enrolling in the most recognized and respected mobile electronics school in our industry. Log onto www.installerinstitute.com or call 800-354-6782 for more information and take steps toward a better tomorrow.



Metra recommends MECP certified technicians