



## Volkswagen SWC (Steering Wheel Control) and Data Interface 2002-2017

### INTERFACE FEATURES

- Provides accessory power (10-amp)
- Provides wires for multimedia radios (park brake, reverse, speed sense)
- Used in both amplified and non-amplified systems\*
- Retains audio controls on the steering wheel
- Designed to be compatible with all major radio brands
- Auto detects vehicle type, radio connection, and preset controls
- Ability to dual assign steering wheel control buttons
- Retains memory settings even after battery disconnection or interface removal (non volatile memory)
- Provides illumination output
- Micro-B USB updatable

\* Excluding Fender audio systems

### APPLICATIONS

#### Volkswagen

Beetle	2012-2015	GTI	2002-2014	R32	2007-2008
CC	2009-2017	Jetta (DDIN models only)	2002	Rabbit	2007-2009
EOS	2007-2016	Jetta, Jetta GLI	2003-2015	Tiguan	2009-2015
Golf (DDIN models only)	2002	Jetta SportWagen	2010-2014		
Golf, Golf R	2003-2014	Passat	2002-2015		

### TABLE OF CONTENTS

Connections.....	2
Programming.....	3
Troubleshooting.....	4

### INTERFACE COMPONENTS

- AXTC-VW1 interface
- AXTC-VW1 harness
- 3.5mm adapter

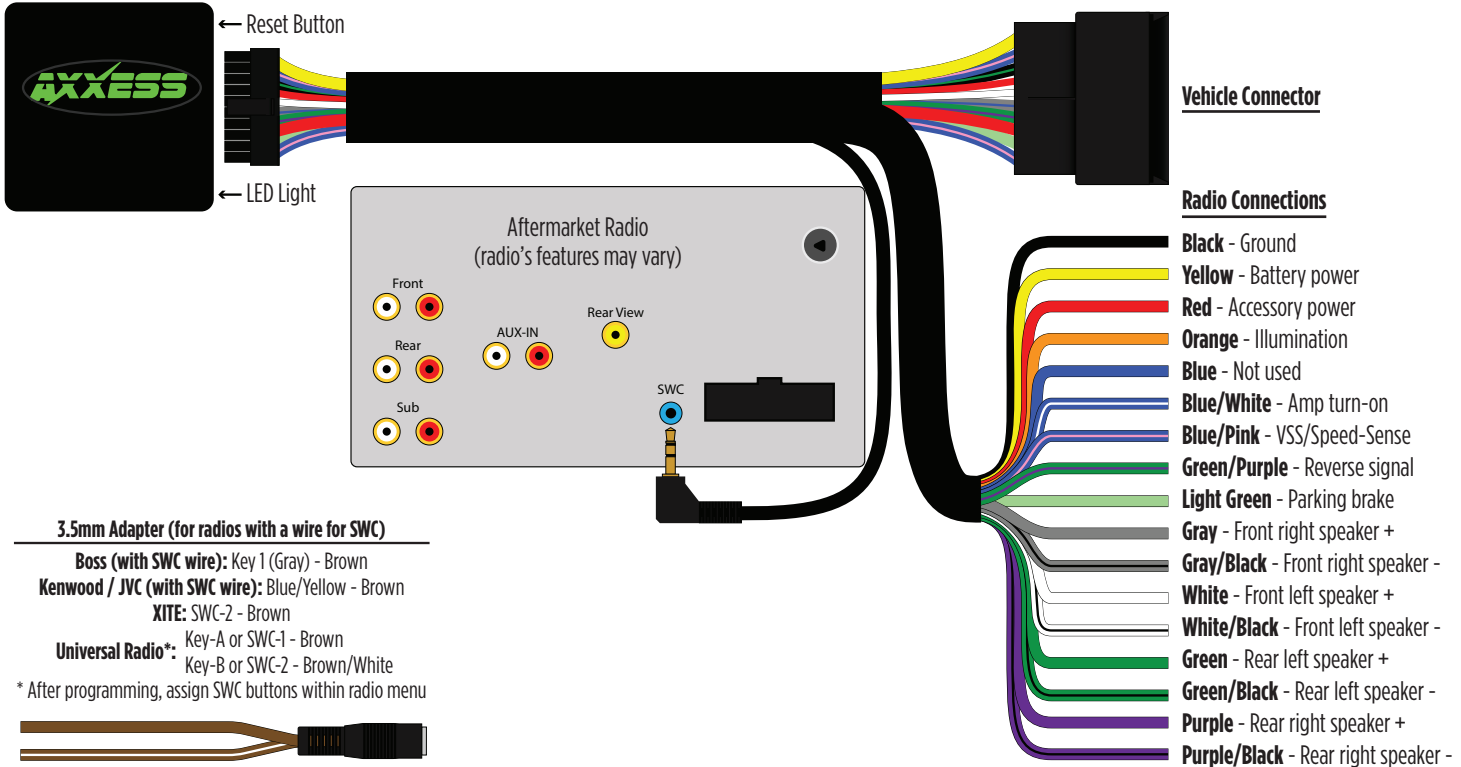
### TOOLS & INSTALLATION ACCESSORIES REQUIRED

- Crimping tool and connectors, or solder gun, solder, and heat shrink • Tape • Wire cutter
- Zip ties


### Product Info



# CONNECTIONS




# PROGRAMMING


1.  Open the driver's door, and keep open during the programming process.

2.  Cycle the ignition on.


3.  Connect the **AXTC-VW1 harness** to the **AXTC-VW1 interface**, and then to the wiring harness in the vehicle.

4.  Tap **Volume Up**. Locate the **Volume Up** button on the the steering wheel. Program the interface by tapping the **Volume Up** button at a heartbeat pace until the LED light stops flashing.

5.  The LED light will flash **Green & Red** while the interface programs the radio to the steering wheel controls. Once programmed, the LED light will go out, then produce a pattern which will identify the radio type installed. Refer to the **Radio LED Feedback** section under **Troubleshooting** for radio types.

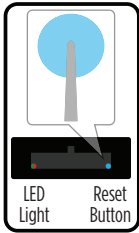
6.  The LED light will go out, then once again quickly flash **Green & Red** while the interface programs itself to the vehicle. Once programmed, the LED light will go out again, then turn solid **Green**.

7.  Cycle the ignition off, then back on.

8.  Test all functions of the installation for proper operation.  
**Note:** Audio Mode must be selected in the MFI menu to allow track up and down to function. Refer to the vehicle owner's manual for more information.

## TROUBLESHOOTING

1. If the interface fails to function, press and release the reset button, then repeat the programming process from step 4 to try again.



2. **Final LED Feedback**  
At the end of programming the LED light will turn **Solid Green** which indicates programming was successful. If the LED light didn't turn **Solid Green**, reference the list below to understand which programming section the problem may stem from.

LED Light	Radio Programming Section	Vehicle Programming Section
Solid Green	Pass	Pass
Slow Red Flash	Fail	Pass
Slow Green Flash	Pass	Fail
Solid Red	Fail	Fail

**Note:** If the LED light shows **Solid Green** for **Pass** (indicating everything programmed correctly), yet the steering wheel controls don't work, check to ensure that the 3.5mm jack is plugged in, and also plugged into the correct jack on the radio. Once corrected, press the reset button, then program again.

Having difficulties? We're here to help.



Contact our Tech Support line at:  
**386-257-1187**



Or via email at:  
techsupport@metra-autosound.com

### Tech Support Hours (Eastern Standard Time)

Monday - Friday: 9:00 AM - 7:00 PM

Saturday: 10:00 AM - 7:00 PM

Sunday: 10:00 AM - 4:00 PM

QR Code Scan Here



Further troubleshooting steps and information can be located at:

[axxessinterfaces.com/product/AXTC-VW1](http://axxessinterfaces.com/product/AXTC-VW1)



**KNOWLEDGE IS POWER**

Enhance your installation and fabrication skills by enrolling in the most recognized and respected mobile electronics school in our industry. Log onto [www.installerinstitute.com](http://www.installerinstitute.com) or call 800-354-6782 for more information and take steps toward a better tomorrow.



**Metra recommends MECP certified technicians**