



Ford SWC (Steering Wheel Control) and Data Interface 2012-Up

INTERFACE FEATURES

- Provides accessory power (10-amp)
- Provides wires for multimedia radios (park brake, reverse, speed sense)
- Retains audio controls on the steering wheel
- Designed to be compatible with all major radio brands
- Auto detects vehicle type, radio connection, and preset controls
- Ability to dual assign steering wheel control buttons
- Retains memory settings even after battery disconnection or interface removal (non volatile memory)
- Provides illumination output
- Retains the 3.5mm AUX-IN jack
- Micro-B USB updatable
- Includes 5v factory amplifier step-down

APPLICATIONS

Ford (1)

Escape	2013-2016	Ranger	2019-Up
Focus	2012-2014	Transit Connect	2014-2016

(1) This interface must be used along with the corresponding Metra radio-install-kit (sold separately)

TABLE OF CONTENTS

Connections	2
Programming	3
Troubleshooting	4

INTERFACE COMPONENTS

- AXTC-FD2 interface • AXTC-FD2 harness
- 3.5mm adapter
- LD-AFD1-5V amplifier step-down

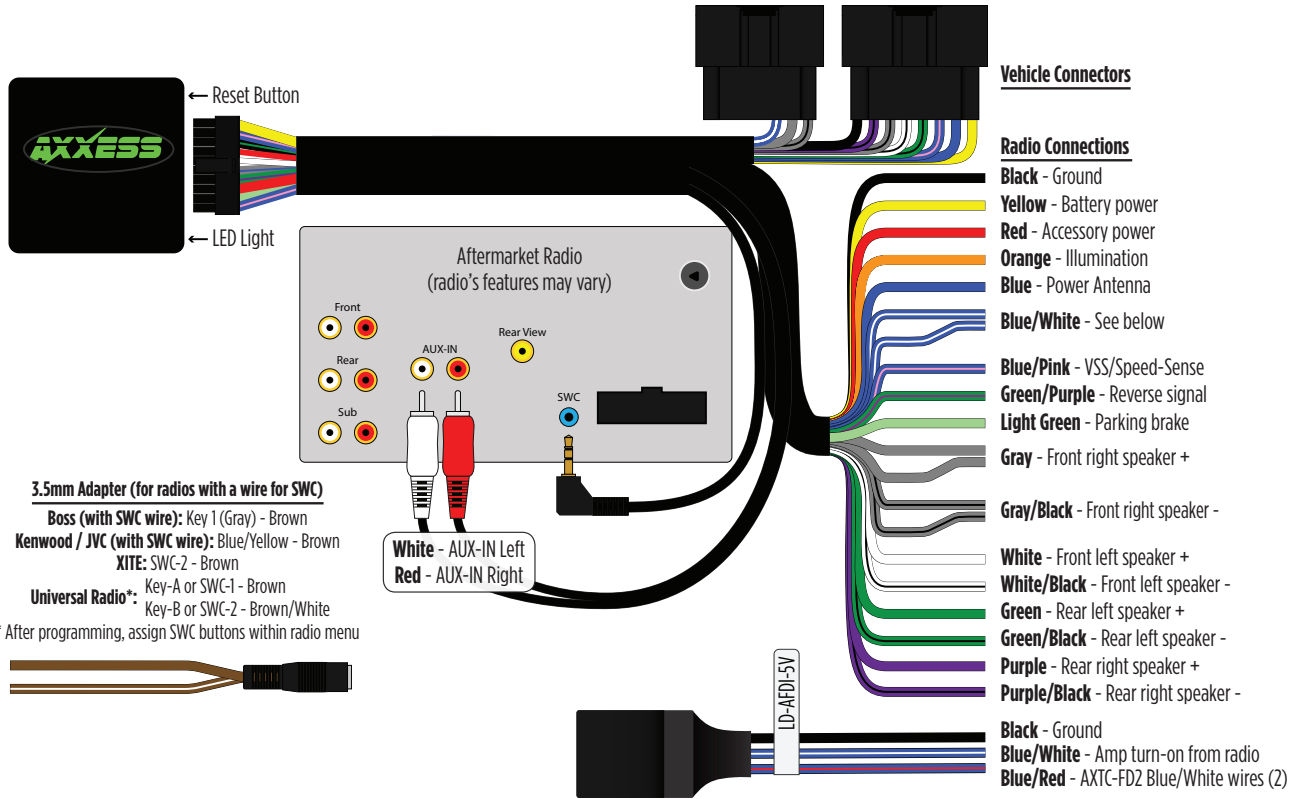
TOOLS & INSTALLATION ACCESSORIES REQUIRED

- Crimping tool and connectors, or solder gun, solder, and heat shrink
- Tape
- Wire cutter
- Zip ties


Product Info



CONNECTIONS



PROGRAMMING


1.  Open the driver's door, and keep open during the programming process.

2.  Cycle the ignition on and wait 5 seconds, or until the factory display screens reads **LINE IN**.

3.  Connect the **AXTC-FD2 harness** to the **AXTC-FD2 interface**, and then to the wiring harness in the vehicle.

4.  Tap **Volume Up**. Locate the **Volume Up** button on the steering wheel. Program the interface by tapping the **Volume Up** button at a heartbeat pace until the LED light stops flashing.

5.  The LED light will flash **Green & Red** while the interface programs the radio to the steering wheel controls. Once programmed, the LED light will go out, then produce a pattern which will identify the radio type installed.

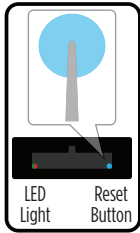
6.  The LED light will go out, then once again quickly flash **Green & Red** while the interface programs itself to the vehicle. Once programmed, the LED light will go out again, then turn solid **Green**.

7.  Cycle the ignition off, then back on.

8.  Test all functions of the installation for proper operation.

TROUBLESHOOTING

1. If the interface fails to function, press and release the reset button, then repeat the programming process from step 4 to try again.



QR Code Scan Here



Further troubleshooting steps and information can be located at:

axcessinterfaces.com/product/AXTC-FD2

2. **Final LED Feedback**

At the end of programming the LED light will turn **Solid Green** which indicates programming was successful. If the LED light didn't turn **Solid Green**, reference the list below to understand which programming section the problem may stem from.

LED Light	Radio Programming Section	Vehicle Programming Section
Solid Green	Pass	Pass
Slow Red Flash	Fail	Pass
Slow Green Flash	Pass	Fail
Solid Red	Fail	Fail

Note: If the LED light shows **Solid Green** for **Pass** (indicating everything programmed correctly), yet the steering wheel controls don't work, check to ensure that the 3.5mm jack is plugged in, and also plugged into the correct jack on the radio. Once corrected, press the reset button, then program again.

Having difficulties? We're here to help.



Contact our Tech Support line at:

386-257-1187



Or via email at:

techsupport@metra-autosound.com

Tech Support Hours (Eastern Standard Time)

Monday - Friday: 9:00 AM - 7:00 PM

Saturday: 10:00 AM - 7:00 PM

Sunday: 10:00 AM - 4:00 PM



KNOWLEDGE IS POWER

Enhance your installation and fabrication skills by enrolling in the most recognized and respected mobile electronics school in our industry. Log onto www.installerinstitute.com or call 800-354-6782 for more information and take steps toward a better tomorrow.



Metra recommends MECP certified technicians