



Ford SWC (Steering Wheel Control) and Data Interface 2007-up

INTERFACE FEATURES

- Provides accessory power (10-amp)
- Provides wires for multimedia radios (park brake, reverse, speed sense)
- Retains audio controls on the steering wheel
- Designed to be compatible with all major radio brands
- Auto detects vehicle type, radio connection, and preset controls
- Ability to dual assign steering wheel control buttons
- Retains memory settings even after battery disconnection or interface removal (non volatile memory)
- Provides illumination output
- Micro-B USB updatable
- Includes 5v factory amplifier step-down

APPLICATIONS

See inside front cover

TABLE OF CONTENTS

Applications.....	2
Connections.....	3
Programming.....	4
Troubleshooting.....	5

INTERFACE COMPONENTS

- AXTC-FD1 interface • AXTC-FD1 harness
- 3.5mm adapter
- LD-AFD1-5V amplifier step-down

TOOLS & PARTS REQUIRED

- Crimping tool and connectors, or solder gun, solder, and heat shrink • Tape • Wire cutter
- Zip ties

Product Info



APPLICATIONS

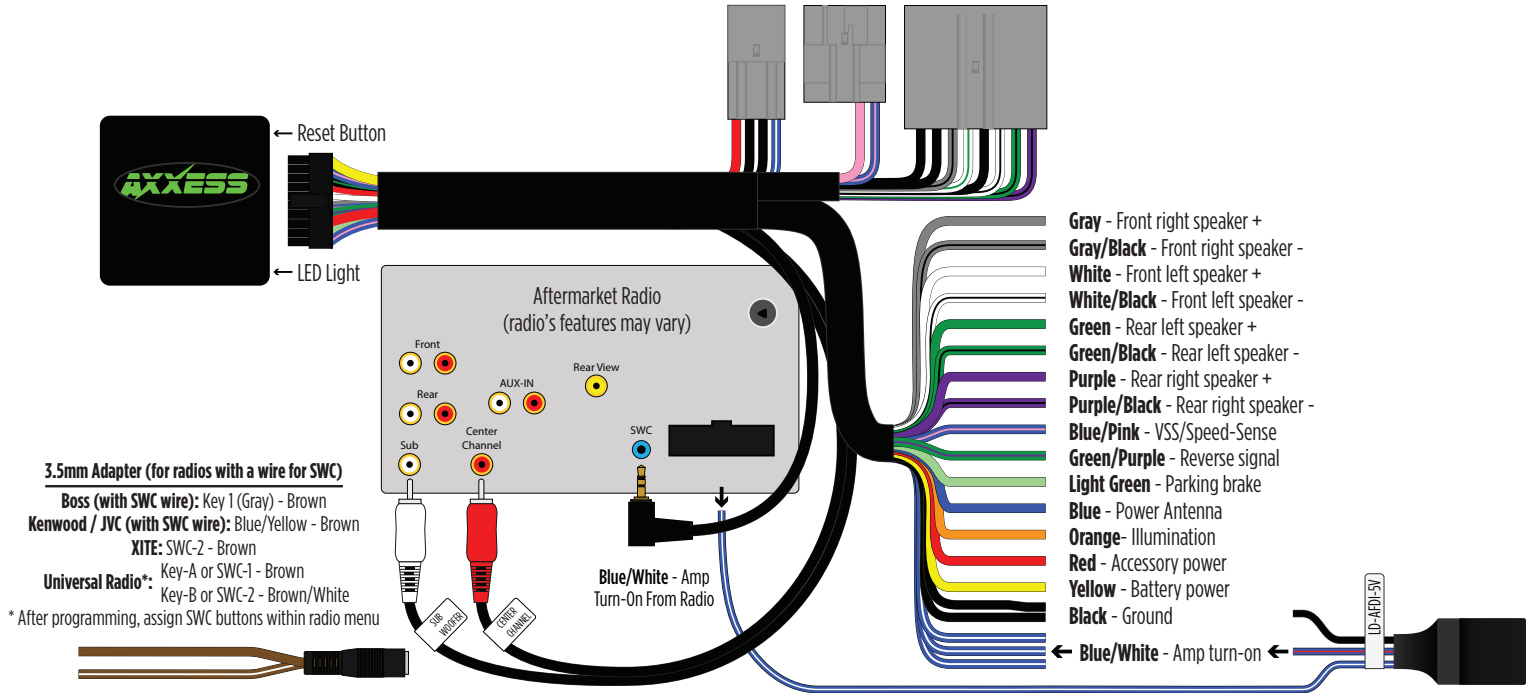
Ford		SWC*	Lincoln		SWC*
Edge	2007-2010	(auto)	MKX	2007-2010	(auto)
Escape	2008-2012	(auto)	MKZ	2007-2009	(auto)
Expedition	2007-2014	(auto)	Navigator	2007	(auto)
Explorer (1)	2009-2010	(auto)	Mazda		SWC*
F-150 (2)	2013-2014	(tap)	Tribute	2008-2011	(auto)
F-150 (3)	2011-2012	(tap)	Mercury		SWC*
F-150 (3)	2009-2010	(auto)	Mariner	2008-2011	(auto)
F-250/350/450/550 XL/XLT (2)	2013-2016	(tap)	Milan	2010-2012	(auto)
F-250/350/450/550 XL/XLT (3)	2011-2012	(tap)			
Focus	2008-2011	(auto)			
Fusion	2010-2012	(auto)			
Mustang	2009-2014	(auto)			
Mustang (4)	2008.5	(auto)			
Taurus	2010-2012	(auto)			

- (1)** With NAV
- (2)** Without 8.4" color screen. XL models must have a CD player
- (3)** XL models must have a CD player
- (4)** Late 2008 build date


*SWC Programming Sequence

- (auto) Do nothing, the interface will auto program
- (tap) Tap the Volume Up button to program the interface

CONNECTIONS





PROGRAMMING

1.  Open the driver's door, and keep open during the programming process.

2.  Cycle the ignition on.


3.  Connect the **AXTC-FD1 harness** to the **AXTC-FD1 interface**, and then to the wiring harness in the vehicle.

4.  **For (auto*) vehicles:** Do not touch the steering wheel controls, the interface will auto program.

-  **For (tap*) vehicles:** Locate the **Volume Up** button on the steering wheel. Program the interface by tapping the **Volume Up** button at a heartbeat pace until the LED light stops flashing.

*Refer to the [application list](#) on page 2

5.  The LED light will flash **Green & Red** while the interface programs the radio to the steering wheel controls. Once programmed, the LED light will go out, then produce a pattern which will identify the radio type installed.

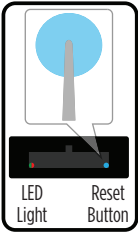
6.  The LED light will go out, then once again quickly flash **Green & Red** while the interface programs itself to the vehicle. Once programmed, the LED light will go out again, then turn solid **Green**.

7.  Cycle the ignition off, then back on.

8.  Test all functions of the installation for proper operation.

TROUBLESHOOTING

1. If the interface fails to function, press and release the reset button, then repeat the programming process from step 4 to try again.



2. **Final LED Feedback**

At the end of programming the LED light will turn **Solid Green** which indicates programming was successful. If the LED light didn't turn **Solid Green**, reference the list below to understand which programming section the problem may stem from.

LED Light	Radio Programming Section	Vehicle Programming Section
Solid Green	Pass	Pass
Slow Red Flash	Fail	Pass
Slow Green Flash	Pass	Fail
Solid Red	Fail	Fail

Note: If the LED light shows **Solid Green** for **Pass** (indicating everything programmed correctly), yet the steering wheel controls don't work, check to ensure that the 3.5mm jack is plugged in, and also plugged into the correct jack on the radio. Once corrected, press the reset button, then program again.

QR Code Scan Here



Further troubleshooting steps and information can be located at:

axxessinterfaces.com/product/AXTC-1-FD1





Having difficulties? We're here to help.



Contact our Tech Support line at:

386-257-1187



Or via email at:

techsupport@metra-autosound.com

Tech Support Hours (Eastern Standard Time)

Monday - Friday: 9:00 AM - 7:00 PM

Saturday: 10:00 AM - 7:00 PM

Sunday: 10:00 AM - 4:00 PM



KNOWLEDGE IS POWER

Enhance your installation and fabrication skills by enrolling in the most recognized and respected mobile electronics school in our industry. Log onto www.installerinstitute.com or call 800-354-6782 for more information and take steps toward a better tomorrow.



**Metra recommends MECP
certified technicians**