



Chrysler SWC (Steering Wheel Control) and Data Interface 2013-up

INTERFACE FEATURES

- Provides accessory power (10-amp)
- Provides wires for multimedia radios (park brake, reverse, speed sense)
- Retains audio controls on the steering wheel
- Designed to be compatible with all major radio brands
- Auto detects vehicle type, radio connection, and preset controls
- Ability to dual assign steering wheel control buttons
- Retains memory settings even after battery disconnection or interface removal (non volatile memory)
- Provides illumination output
- Retains the factory backup camera
- Retains the 3.5mm AUX-IN jack
- Micro-B USB updatable

APPLICATIONS

Chrysler	Jeep	Ram
200 LX	2015-2016	2014-2016
	Cherokee Sport	1500 Classic* **
	Compass Sport	1500/2500/3500* **
		2017.5-2018
		Chassis Cab 3500/4500/5500* **
		2013-2017
		2013-2017

* Small screen, Base radio

** Will not retain safety chimes

TABLE OF CONTENTS

Connections.....	2
Programming.....	3
Troubleshooting.....	4

INTERFACE COMPONENTS

- AXTC-CH5 interface
- AXTC-CH5 harness
- 3.5mm adapter

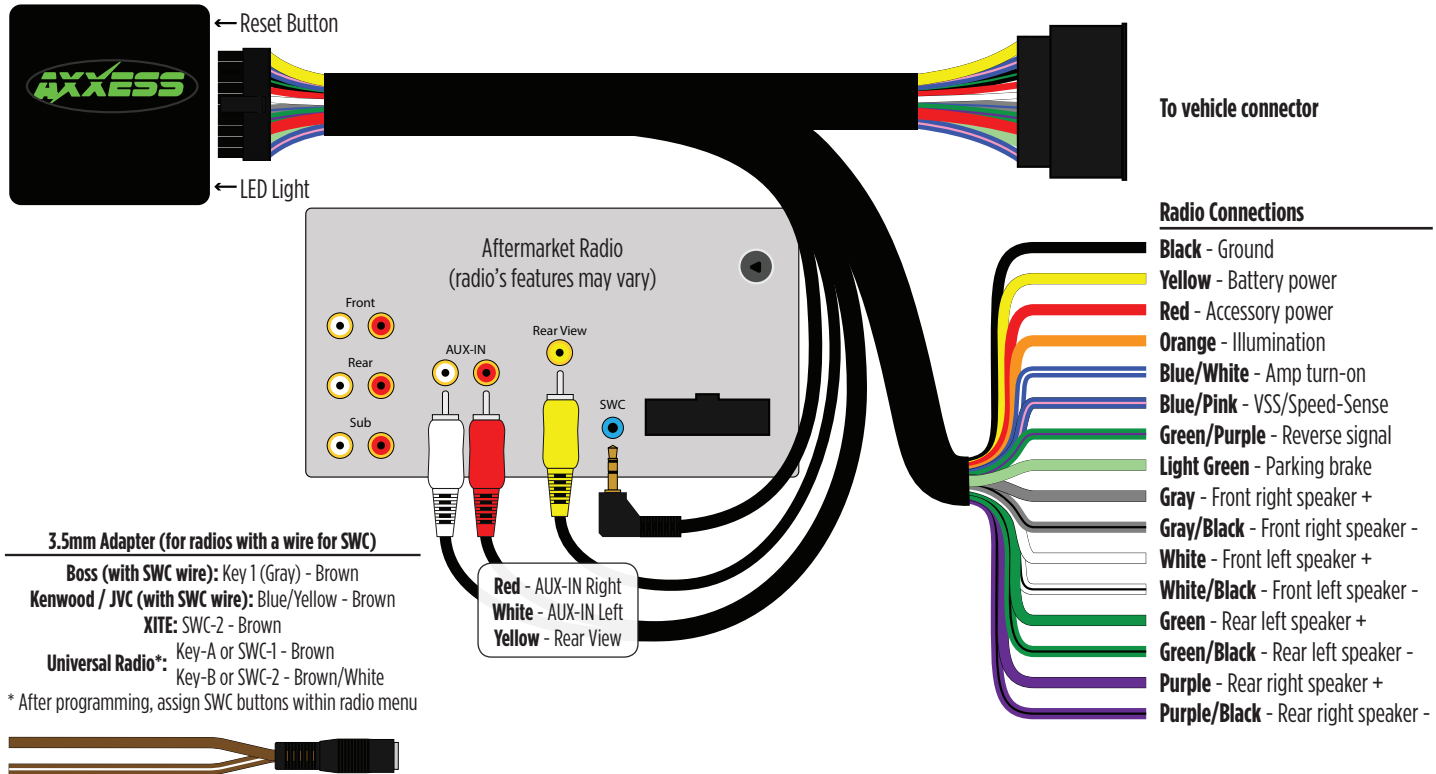
TOOLS & INSTALLATION ACCESSORIES REQUIRED

- Crimping tool and connectors, or solder gun, solder, and heat shrink
- Tape
- Wire cutter
- Zip ties

Product Info



CONNECTIONS




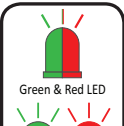
PROGRAMMING

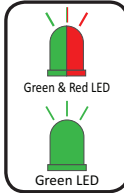
1.  Open the driver's door, and keep open during the programming process.

2.  Cycle the ignition on.

3.  Connect the **AXTC-CH5 harness** to the **AXTC-CH5 interface**, and then to the wiring harness in the vehicle.

4.  Locate the **Volume Up** button behind the steering wheel on the right hand side. Program the interface by tapping the **Volume Up** button at a heartbeat pace until the LED light stops flashing. For models with just Bluetooth buttons on the steering wheel, use the **PIT** button instead.

5.  The LED light will flash **Green & Red** while the interface programs the radio to the steering wheel controls. Once programmed, the LED light will go out, then produce a pattern which will identify the radio type installed. Refer to the **Radio LED Feedback** section under **Troubleshooting** for radio types.

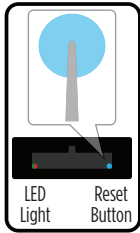
6.  The LED light will go out, then once again quickly flash **Green & Red** while the interface programs itself to the vehicle. Once programmed, the LED light will go out again, then turn solid **Green**.

7.  Cycle the ignition off, then back on.

8.  Test all functions of the installation for proper operation.

TROUBLESHOOTING

1. If the interface fails to function, press and release the reset button, then repeat the programming process from step 4 to try again.



2. **Final LED Feedback**
At the end of programming the LED light will turn **Solid Green** which indicates programming was successful. If the LED light didn't turn **Solid Green**, reference the list below to understand which programming section the problem may stem from.

LED Light	Radio Programming Section	Vehicle Programming Section
Solid Green	Pass	Pass
Slow Red Flash	Fail	Pass
Slow Green Flash	Pass	Fail
Solid Red	Fail	Fail

Note: If the LED light shows **Solid Green** for **Pass** (indicating everything programmed correctly), yet the steering wheel controls don't work, check to ensure that the 3.5mm jack is plugged in, and also plugged into the correct jack on the radio. Once corrected, press the reset button, then program again.

Having difficulties? We're here to help.



Contact our Tech Support line at:
386-257-1187



Or via email at:
techsupport@metra-autosound.com

Tech Support Hours (Eastern Standard Time)

Monday - Friday: 9:00 AM - 7:00 PM

Saturday: 10:00 AM - 7:00 PM

Sunday: 10:00 AM - 4:00 PM

QR Code Scan Here



Further troubleshooting steps and information can be located at:

axxessinterfaces.com/product/AXTC-CH5



KNOWLEDGE IS POWER
Enhance your installation and fabrication skills by enrolling in the most recognized and respected mobile electronics school in our industry. Log onto www.installerinstitute.com or call 800-354-6782 for more information and take steps toward a better tomorrow.



Metra recommends MECP certified technicians