



Ford A2B Data Interface with Amplifier Bypass Harness & DSP 2017

INTERFACE FEATURES

- Designed for Sony A2B amplifiers
- A2B data interface with AXDSP-X (digital signal processor) built-in
- Includes an amplifier bypass harness
- Retains factory chimes including parking sensor chimes
- Retains SYNC voice prompts
- All chimes/voice prompts go through the aftermarket amplifier and/or cluster
- Adjustable chime level
- Micro-B USB updatable

INTERFACE COMPONENTS

- AXDSPX-A2B1 interface
- AXDSPX-A2B1 harness
 - AXDSPX-A2B1 interface harness (male connectors: 12-pin, 16-pin)
 - Amplifier bypass harness (female connectors: 16-pin, 16-pin)
- AXBK-1

APPLICATIONS

Ford				
Escape	2017	Fusion	2017	

TABLE OF CONTENTS

Connections	2
Installation	3
Troubleshooting	4

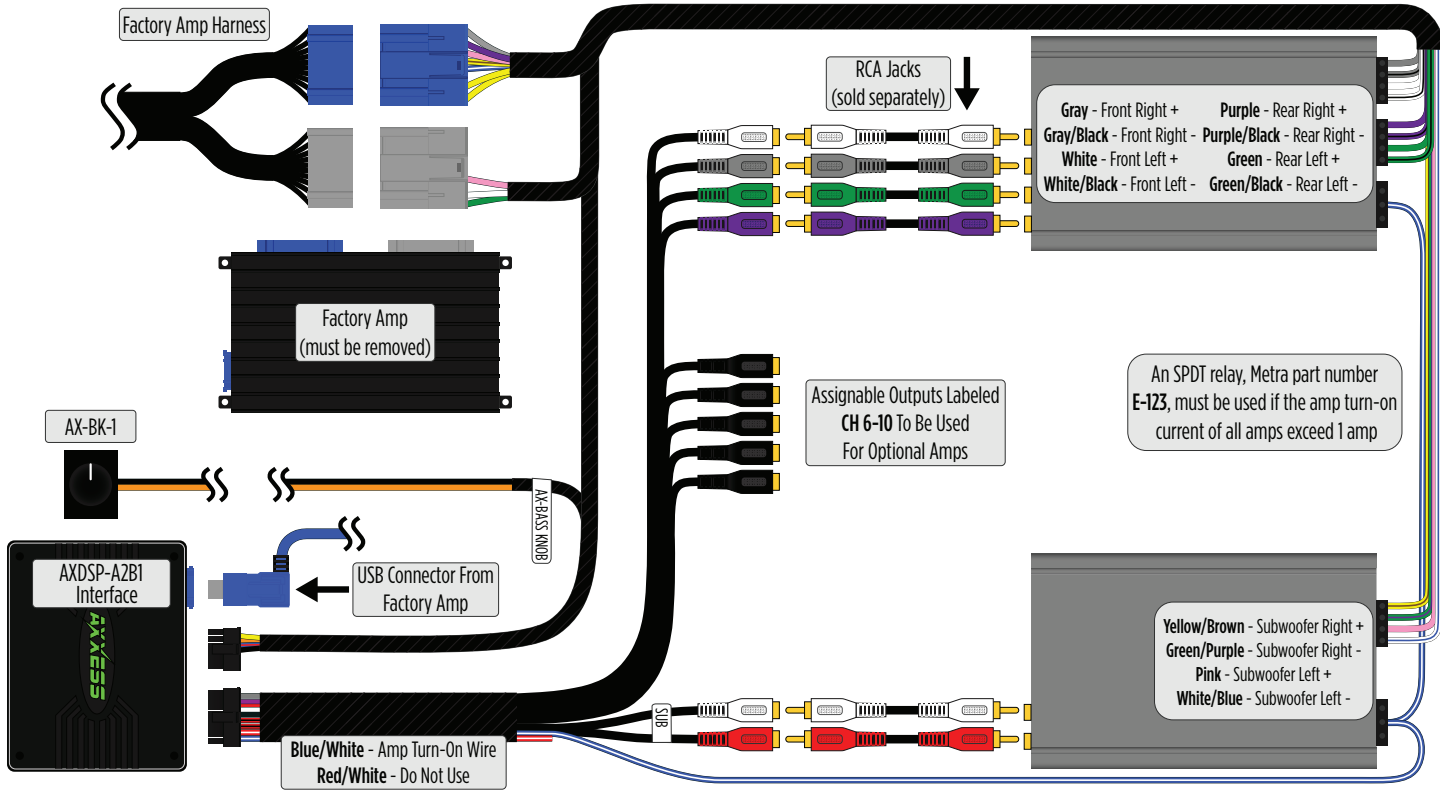
TOOLS REQUIRED

- Crimping tool and connectors, or solder gun, solder, and heat shrink
- Tape
- Wire cutter
- Zip ties

Product Info



CONNECTIONS



INSTALLATION

1. Locate the factory amp (*), unplug all connectors, then remove the amp.
2. Install the **AXDSPX-A2B1 harness** and make all necessary connections, but leave the amp turn-on wire disconnected.
Note: Ensure the USB connector from the factory amp is connected to the AXDSPX-A2B1.
3. Plug the 12-pin and 16-pin connectors from the **AXDSPX-A2B1 harness** into the **AXDSPX-A2B1 interface**.
4. Download and install the AXDSP-X app from the **Google Play Store** or **Apple App Store**.
5. Open the app and follow the instructions on the **Bluetooth Connection** tab to pair the mobile device to the AXDSPX-A2B1. (Figure A)
6. Scroll to the **Configuration** tab then select the vehicle type. Press the **Lock Down** button to save the configuration. (Figure B)
7. Connect the amp turn-on wire from the **AXDSPX-A2B1 harness**.
8. Click the **Identify** button to confirm that the AXDSPX-A2B1 is connected properly. If so, a chime will be heard from the front left speaker or gauge cluster. Test all functions of the installation for proper operation.
9. Adjust the DSP settings in the app as desired. Refer to the instructions under the **Setup Instructions** tab, or online at Axxessinterf.com for an explanation of each tab in the app.

Note: In these vehicles the factory radio powers some speakers.

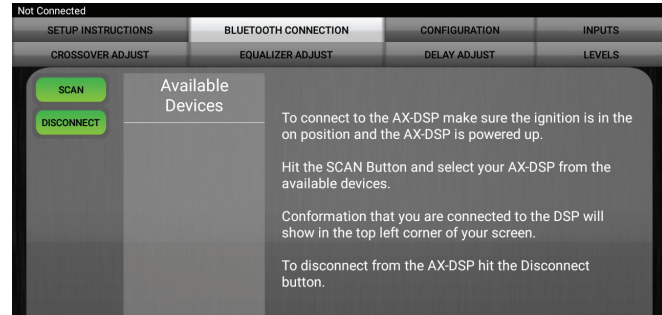
Escape: Front tweeters / Center channel

Fusion: Front tweeters / Front center channel / Rear center channel

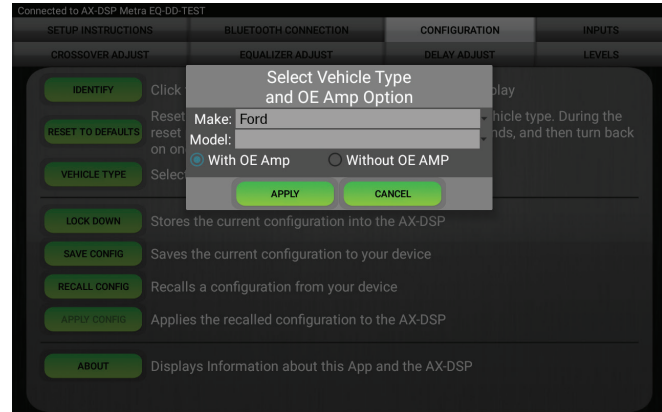
(*) Amplifier Location

Escape: Behind the left rear quarter panel

Fusion: Behind the right rear quarter panel



(Figure A)



(Figure B)

TROUBLESHOOTING

- If the **Red** light in the AXDSPX-A2B1 interface is blinking, it is not communicating to the vehicle. Remove the key from the ignition, unplug the connectors from the interface, then inspect all connections made. If everything is proper, connect the harnesses back into the interface, cycle the key to ignition, then re-inspect. The **Red** light should be solid.

Having difficulties? We're here to help.



Contact our Tech Support line at:

386-257-1187



Or via email at:

techsupport@metra-autosound.com

Tech Support Hours (Eastern Standard Time)

Monday - Friday: 9:00 AM - 7:00 PM

Saturday: 10:00 AM - 7:00 PM

Sunday: 10:00 AM - 4:00 PM



KNOWLEDGE IS POWER

Enhance your installation and fabrication skills by enrolling in the most recognized and respected mobile electronics school in our industry. Log onto www.installerinstitute.com or call 800-354-6782 for more information and take steps toward a better tomorrow.



**Metra recommends MECP
certified technicians**