



## Harley Davidson DSP Package with Water Resistant Enclosure 2014-up

### INTERFACE FEATURES

- Water resistant plug-n-play harness for the AX-DSP-X
- AX-DSP-X included
- Water resistant enclosure with zip tie mounts included
- Amplifier, if equipped, does not need to be retained
- All wiring will be done at the radio location
- Micro-B USB updatable

### INTERFACE COMPONENTS

- AX-DSP-X circuit board
- AX-DSPX-HD2-WR harness (with gaskets)
- AX-DSPX-HD2-WR enclosure
  - Case
  - Cap (with O-ring)

### TABLE OF CONTENTS

Connections .....	2
Installation .....	3-4

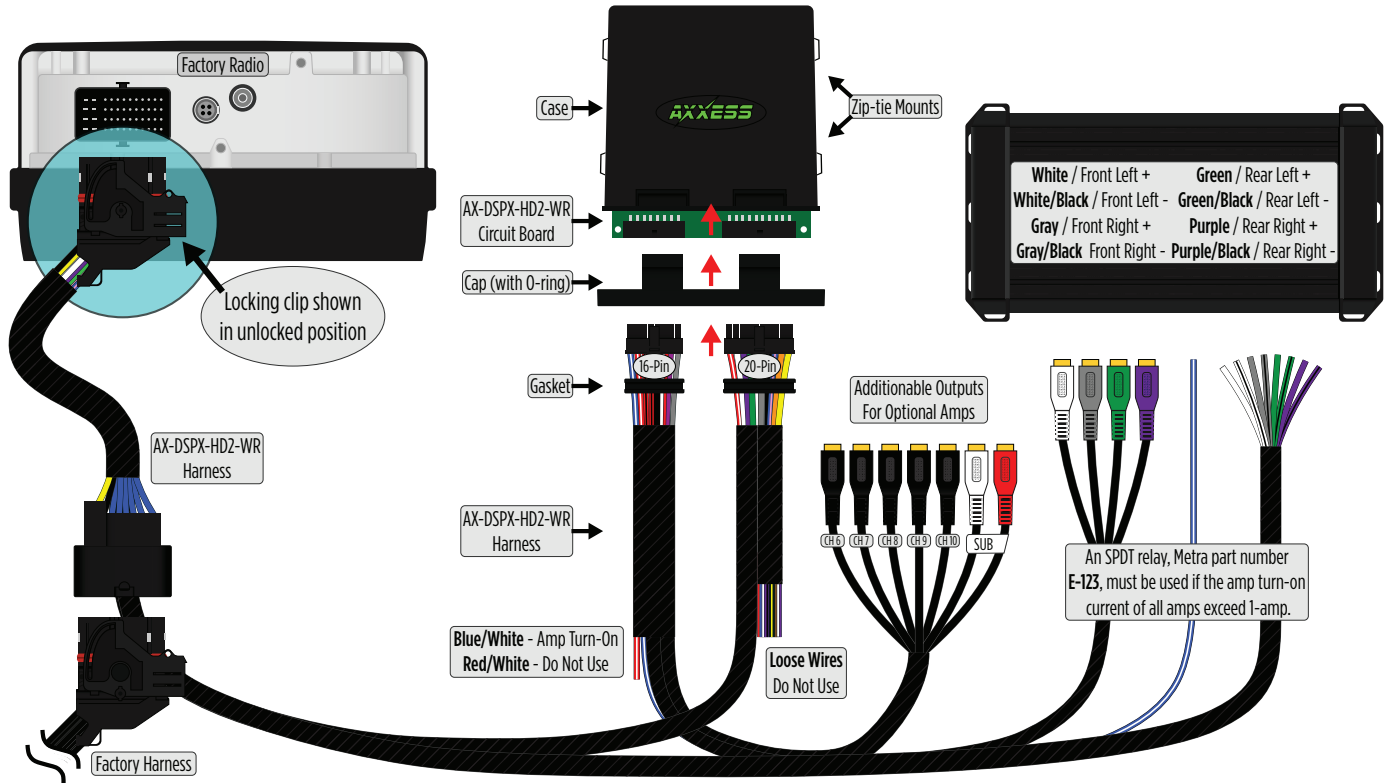
### TOOLS & INSTALLATION ACCESSORIES REQUIRED

- Crimping tool and connectors, or solder gun, solder, and heat shrink
- Tape
- Wire cutter
- Zip ties

### Product Info



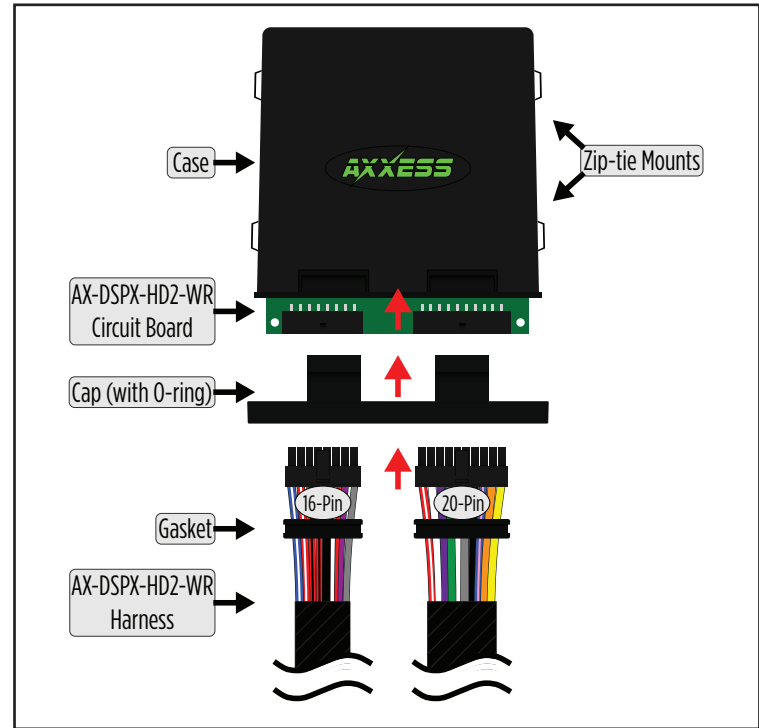
# CONNECTIONS



# INSTALLATION

**Attention!** Harley Davidson radios come pre-programmed with a preset EQ that cannot be changed without flashing the radio. Only an authorized Harley Davidson Dealer can flash the radio and flatten the factory EQ curve. Ask the Dealer to flash the radio to a flat EQ curve. Without performing this task, the AX-DSP will be distorted and not sound very good.

1. Remove the fairing to access the back of the factory radio. Refer to [MetraOnline](#), part number 99-9700 for fairing disassembly instructions.
2. Install the **AX-DSPX-HD2-WR harness** and make all necessary connections, but leave the amp turn-on wire disconnected.
3. With the arrow stamped onto the cap facing upwards, push the 16-pin connector from the **AX-DSPX-HD2-WR harness** into the left side of the cap. The locking clip on the connector should face upward. Make sure the gasket is seating properly in the cap. (Figure A)
4. With the arrow stamped onto the cap still facing upwards, push the 20-pin connector from the **AX-DSPX-HD2-WR harness** into the right side of the cap. The locking clip on the connector should face upward. Make sure the gasket is seating properly in the cap. (Figure A)
5. Plug the 16-pin and 20-pin connectors from the **AX-DSPX-HD2-WR harness** into the **AX-DSPX-X circuit board**. (Figure A)
6. Slide the assembly into the case, then click it shut. Zip-tie the enclosure to a secure location in the fairing to secure it. Make sure the Axness logo is facing up to further ensure that no outside elements can enter the enclosure.

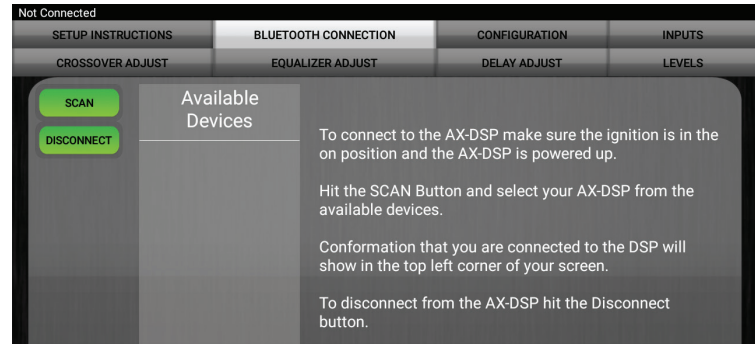


Continued on the next page

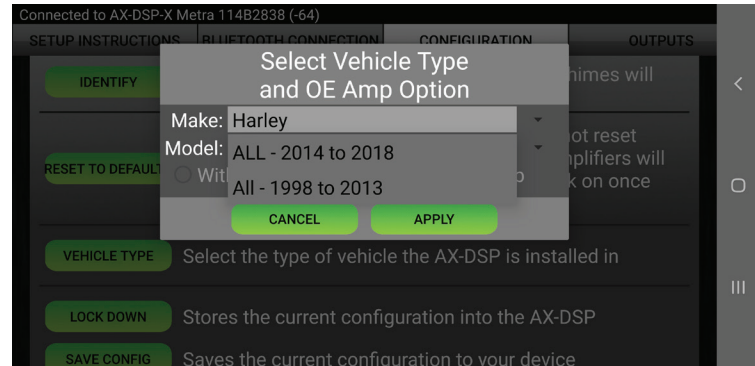
(Figure A)

## INSTALLATION (CONT'D)

- Download and install the AX-DSP-X app from the **Google Play Store** or **Apple App Store**.
- Open the app and follow the instructions on the **Bluetooth Connection** tab to pair the mobile device to the AX-DSPX-X. (Figure B)
- Scroll to the **Configuration** tab then select the vehicle type. Press the **Lock Down** button to save the configuration. (Figure C)
- Connect the amp turn-on wire from the **AX-DSPX-HD2-WR harness**.
- Click the **Identify** button to confirm that the AX-DSPX-HD2-WR is connected properly. If so, a chime will be heard from the front left speaker. Test all functions of the installation for proper operation.
- Adjust the DSP settings in the app as desired. Refer to the instructions under the **Setup Instructions** tab, or online at [AxxessInterfaces](https://www.axxess.com/axxess-interfaces) for an explanation of each tab in the app.



(Figure B)



(Figure C)



---

---

---

---

---

---

---

---

---

---

---

---

---

---

---

---

---

---

---

---

---

---

---

---

---

---

---

---

---

---

---

---

---

---

---

---

---

---

---

---

---

---

---

---

---

---



---

---

---

---

---

---

---

---

---

---

---

---

---

---

---

---

---

---

---

---

---

---

---

---

---

---

---

---

---

---

---

---

---

---

---

---

---

---

---

---

---

---

---

---

---

---

---

---

---

---

---

---




---

---

---

---

---

---

---

---

---

---

---

---

---

---

---

---

---

---

---

---

---



---

---

---

---

---

---

---

---

---

---

---

---

---

---

---

---

---

---

---

---

---



# AX-DSPX-HD2-WR

INSTALLATION INSTRUCTIONS

Having difficulties? We're here to help.



Contact our Tech Support line at:

**386-257-1187**



Or via email at:

[techsupport@metra-autosound.com](mailto:techsupport@metra-autosound.com)

### **Tech Support Hours (Eastern Standard Time)**

Monday - Friday: 9:00 AM - 7:00 PM

Saturday: 10:00 AM - 7:00 PM

Sunday: 10:00 AM - 4:00 PM



### **KNOWLEDGE IS POWER**

Enhance your installation and fabrication skills by enrolling in the most recognized and respected mobile electronics school in our industry. Log onto [www.installerinstitute.com](http://www.installerinstitute.com) or call 800-354-6782 for more information and take steps toward a better tomorrow.



**Metra recommends MECP  
certified technicians**