



Mercedes Benz (NTG 4.5 with 5.8" & 7" display) HDMI and Camera Interface 2011-up*

*Visit AxxessInterfaces.com for up-to-date vehicle specific applications.

INTERFACE FEATURES

- Provides front and rear camera inputs to the factory display screen
- Provides an HDMI input to the factory display screen
- Micro "B" USB updatable

INTERFACE COMPONENTS

- AX-AM-MB91 interface
- AX-AM-MB91 harness
- 6-pin to 4-pin LVDS (video) cable
- LVDS extension cable
- 10-pin harness with RCA jacks
- 3.5mm extension cable

APPLICATIONS

MERCEDES							
A Class (W176)	2012-up	GLA Class (X156)	2014-up	B Class (W246)	2012-up	E Class (W212)	2012-2016
		CLA Class (C117)	2014-up	C Class (W204)	2011-2014	ML/GL Class (W166/X166)	2011-up

TABLE OF CONTENTS

Connections to be made	2
Configuring the AX-AM-MB91.....	3
Installing the AX-AM-MB91.....	4
User guide.....	5

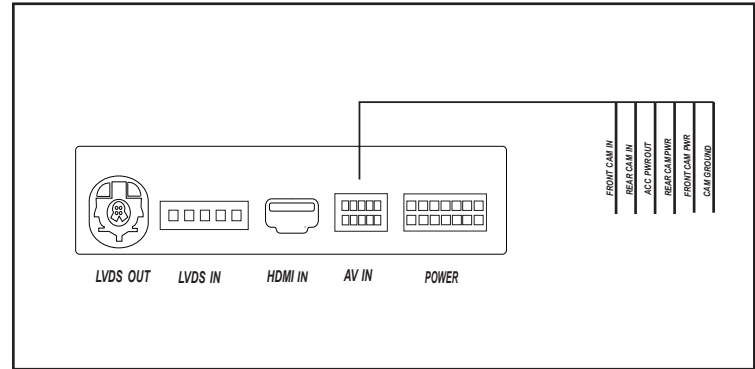
TOOLS REQUIRED

- Wire cutter • Crimp tool • Solder gun • Tape
- Connectors (example: butt-connectors, bell caps, etc.)

CAUTION! All accessories, switches, climate controls panels, and especially air bag indicator lights must be connected before cycling the ignition. Also, do not remove the factory radio with the key in the on position, or while the vehicle is running.

CONNECTIONS TO BE MADE

- If installing a front/rear camera, connect the **Black** wire labeled “GND”, to the camera(s) ground wire.
- If installing a backup camera, connect the **Red** wire labeled “Reverse Camera 12v”, to the backup camera power wire.
- If installing a front camera, connect the **Red** wire labeled “Front Camera 12v”, to the front camera power wire.
- The **Red** wire labeled “Acc Power Output” is optional if a power source is required while a camera is active.
- If installing a backup camera, connect the RCA jack labeled “Reverse Camera Video Input” to the camera.
- If installing a front camera, connect the RCA jack labeled “Front Camera Video Input” to the camera.
- If adding an HDMI input to the factory display screen, connect an HDMI cable (Axxess part number AX-HDCABLE, sold separately), to the port on the AX-AM-MB91 labeled “HDMI IN”.

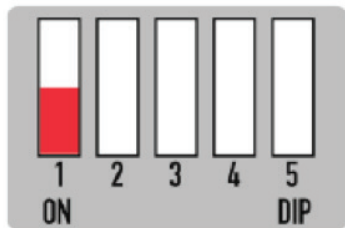


(Connections Diagram)

CONFIGURING THE AX-AM-MB91

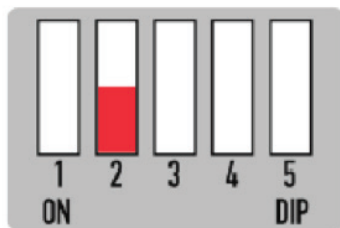
Dip switch settings

Remove the access door located on the top of the AX-AM-MB91 interface to access the dip switches.



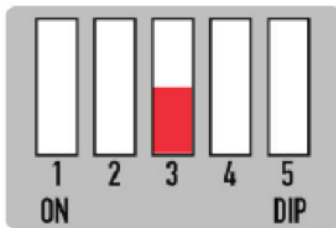
Dip 1

If the vehicle is equipped with a factory backup camera: **On:** Yes **Off:** No



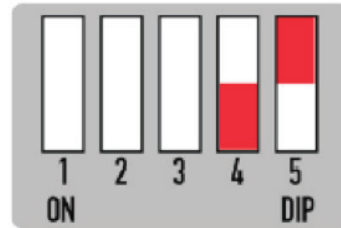
Dip 2

If the vehicle has an aftermarket front camera: **On:** Yes **Off:** No



Dip 3

If the vehicle has an aftermarket backup camera: **On:** Yes **Off:** No



Dips 4 & 5

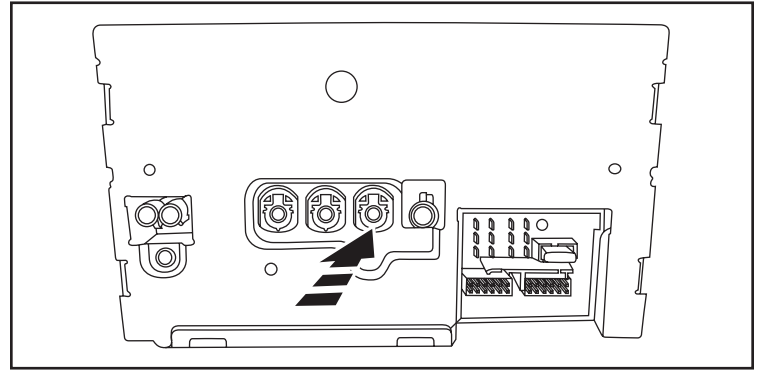
- 5.8-inch screen:
Dip 4 On - Dip 5 Off
- 6.5-inch screen:
Dip 4 Off - Dip 5 Off

INSTALLING THE AX-AM-MB91

- Remove the main connector from the radio, then connect the *male* plug from the AX-AM-MB91 harness into the radio.
- Connect the factory *male* factory connector into the *female* plug from the AX-AM-MB91 harness.
- Connect the AX-AM-MB91 harness into the AX-AM-MB91 interface.
- If adding an HDMI input to the factory display screen, connect the 3.5mm extension cable to the AX-AM-MB91 harness, and then to the vehicles 3.5mm AUX-IN jack.
- Remove the **Gray** LVDS (video) cable from the radio, then connect it to the AX-AM-MB91 interface (LVDS OUT). (Figure A)

Note: An LVDS extension cable is provided if more length is required.

- Connect the 6-pin to 4-pin LVDS (video) cable into the radio, and then into the AX-AM-MB91 interface (LVDS IN).
- Connect the 10-pin harness with RCA jacks into the AX-AM-MB91 interface.



(Figure A – Picture shown for illustration only, actual radio may differ)

Button Configuration

- The buttons in the center console will be used to operate the AX-AM-MB91.



HDMI access

- Select AUX-IN as a source from the factory radio.
- Press and hold "Button 1" for 2 secs to switch between the factory screen & the AX-AM-MB91 screen.
- Double tap "Button 1" to exit HDMI mode.
- Double tap "Button 1" to disable the video-in-motion warning message.

Front camera access

- Ensure dip switch 2 is selected to "ON".
- Double tap "Button 1" to activate the front camera.
- Double tap "Button 1" to exit front camera mode.

Rear camera access

- The backup camera will automatically activate while the vehicle is in reverse gear.
- Deselecting the reverse gear will activate the front camera, if installed and dip switch 2 is selected to "ON".

Note: This camera takes priority over HDMI mode, and front camera mode, but will not deactivate the front camera. Double tap "Button 1", or drive over 10 mph, to cancel front camera mode.

View Version Number

- Press and hold "Button 1" for 8 seconds to enter the firmware information screen.



AX-AM-MB91

INSTALLATION INSTRUCTIONS



IMPORTANT

If you are having difficulties with the installation of this product, please call our Tech Support line at 1-800-253-TECH. Before doing so, look over the instructions a second time, and make sure the installation was performed exactly as the instructions are stated. Please have the vehicle apart and ready to perform troubleshooting steps before calling.



KNOWLEDGE IS POWER

Enhance your installation and fabrication skills by enrolling in the most recognized and respected mobile electronics school in our industry. Log onto www.installerinstitute.com or call 800-354-6782 for more information and take steps toward a better tomorrow.



Metra recommends MECP certified technicians