



Ford (with Sync 3) HDMI and Camera Interface 2015-up*

*Visit AxxessInterfaces.com for up-to-date vehicle specific applications.

INTERFACE FEATURES

- Provides front and rear camera inputs to the factory display screen
- Provides an HDMI input to the factory display screen
- Micro "B" USB updatable

INTERFACE COMPONENTS

- AX-AM-FD91 interface
- AX-AM-FD91 harness
- LVDS (video) extension cable
- 6-pin to 4-pin LVDS (video) cable
- 10-pin harness with RCA jacks
- 3.5mm extension cable
- USB dongle

APPLICATIONS

FORD					
Edge	2018-up	Explorer	2018-up	Fusion	2015-up
Escape	2018-up	F-150	2015-up	Mustang	2015-up
Expedition	2018-up	F-250/350/450 Super Duty	2015-up	Taurus	2017-up
		Flex	2018-up		

TABLE OF CONTENTS

Connections to be made	2
Configuring the AX-AM-FD91	3
Installing the AX-AM-FD91.....	4
User guide.....	5

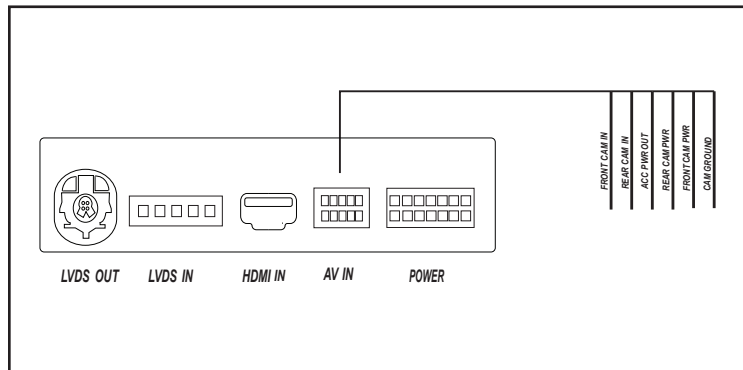
TOOLS REQUIRED

- Wire cutter • Crimp tool • Solder gun • Tape
- Connectors (example: butt-connectors, bell caps, etc.)

CAUTION! All accessories, switches, climate controls panels, and especially air bag indicator lights must be connected before cycling the ignition. Also, do not remove the factory radio with the key in the on position, or while the vehicle is running.

CONNECTIONS TO BE MADE

- If installing a front/rear camera, connect the **Black** wire labeled “GND”, to the camera(s) ground wire.
- If installing a backup camera, connect the **Red** wire labeled “Reverse Camera 12v”, to the backup camera power wire.
- If installing a front camera, connect the **Red** wire labeled “Front Camera 12v”, to the front camera power wire.
- The **Red** wire labeled “Acc Power Output” is optional if a power source is required while a camera is active.
- If installing a backup camera, connect the RCA jack labeled “Reverse Camera Video Input” to the camera.
- If installing a front camera, connect the RCA jack labeled “Front Camera Video Input” to the camera.
- If adding an HDMI input to the factory display screen, connect an HDMI cable (Axxess part number AX-HDCABLE, sold separately), to the port on the AX-AM-FD91 labeled “HDMI IN”.

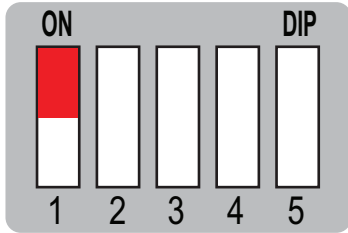


(Connections Diagram)

CONFIGURING THE AX-AM-FD91

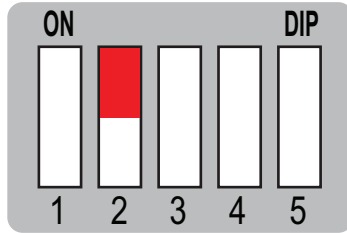
Dip switch settings

Remove the access door located on the top of the AX-AM-FD91 interface to access the dip switches.



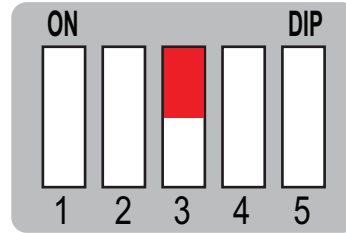
Dip 1

If the vehicle is equipped with a factory backup camera: **On:** Yes **Off:** No



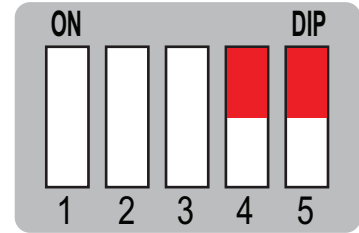
Dip 2

If the vehicle has an aftermarket front camera: **On:** Yes **Off:** No



Dip 3

If the vehicle has an aftermarket backup camera: **On:** Yes **Off:** No



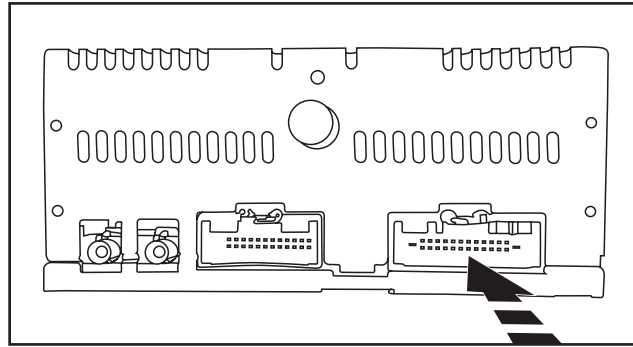
Dips 4 & 5

For all applications:

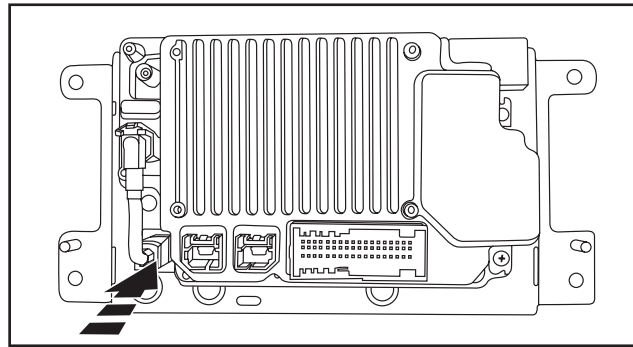
Dip 4: On **Dip 5:** On

INSTALLING THE AX-AM-FD91

- Remove the 24-pin connector from the radio, then connect the *male* plug from the AX-AM-FD91 harness into the radio. (Figure A)
- Connect the factory *male* factory connector into the *female* plug from the AX-AM-FD91 harness.
- Connect the AX-AM-FD91 harness into the AX-AM-FD91 interface.
- Connect one end of the 3.5mm extension cable to the AX-AM-FD91 harness, then connect the other end to the USB dongle. The USB dongle will be discussed later.
- Remove the **Yellow** LVDS (video) cable from the display screen, then connect it to the 6-pin to 4-pin LVDS (video) cable. (Figure B)
- Connect the 6-pin to 4-pin LVDS (video) cable into the AX-AM-FD91 interface (LVDS IN).
- Connect the **Yellow** end of the 4-pin LVDS (video) extension cable into the display screen.
- Connect the **Pink** end of the 4-pin LVDS (video) extension cable into the interface (LVDS OUT).
- Connect the 10-pin harness with RCA jacks into the AX-AM-FD91 interface.



(Figure A)



(Figure B)

Button Configuration

- The factory buttons on the steering wheel, and “SOUND” button on the radio, will be used to operate the AX-AM-FD91.



HDMI access

- Connect the *USB dongle* to the Sync USB input. The dongle will appear as “USB AUX”. Select USB as a source from the factory radio.
- Press and hold “BUTTON 1” for 2 seconds to switch between the factory screen and the AX-AM-FD91 screen.
- Press and hold “BUTTON 2” (Or press the top right corner of the touchscreen) to disable the video-in-motion warning message.

Front camera access

- Ensure dip switch 2 is selected to “ON”.
- Press & hold “BUTTON 2” for 2 seconds (or double tap the “SOUND” button) to activate the front camera.

Rear camera access

- The backup camera will automatically activate while the vehicle is in reverse gear.
- Deselecting the reverse gear will activate the front camera, if installed and dip switch 2 is selected to “ON”.

Note: *This camera takes priority over HDMI mode, and front camera mode. But will not deactivate the front camera. Press the top right corner of the screen, or drive over 10 mph, to cancel front camera mode.*

View Version Number

- Press and hold “BUTTON 1” for 8 seconds to enter the firmware information screen.



AX-AM-FD91

INSTALLATION INSTRUCTIONS



IMPORTANT

If you are having difficulties with the installation of this product, please call our Tech Support line at 1-800-253-TECH. Before doing so, look over the instructions a second time, and make sure the installation was performed exactly as the instructions are stated. Please have the vehicle apart and ready to perform troubleshooting steps before calling.



KNOWLEDGE IS POWER

Enhance your installation and fabrication skills by enrolling in the most recognized and respected mobile electronics school in our industry. Log onto www.installerinstitute.com or call 800-354-6782 for more information and take steps toward a better tomorrow.



Metra recommends MECP certified technicians