



Dodge Charger 2015-Up

Visit MetraOnline.com for more detailed information about the product and up-to-date vehicle specific applications

KIT FEATURES

- ISO DDIN radio provision
- 7-inch touchscreen display for climate and personalization features
- Includes Axxess interface for climate and steering wheel functions
- Painted matte black

Note: • Does not retain sound from **Driver Convenience Group**.
• Track and launch control features from **SRT Package** will be lost.

KIT COMPONENTS

- A) Radio trim panel • B) Radio brackets • C) 7" touchscreen and button panel • D) Phillips screws for radio to dash (4)

Not shown: Harnessing, USB replacement panel

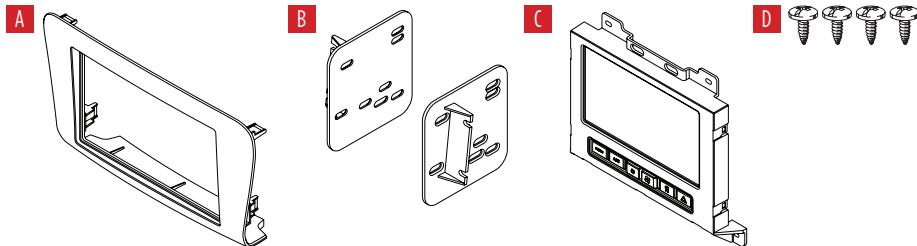


TABLE OF CONTENTS

Dash Disassembly.....	2
Kit Preparation.....	2
Kit Assembly.....	3
Axxess Interface Installation.....	4-15
Final Assembly.....	16

WIRING & ANTENNA CONNECTIONS

- Wiring Harness: • Included with kit
- Antenna Adapter: • Included with kit
- Steering Wheel Control Interface: • Included w/kit

TOOLS REQUIRED

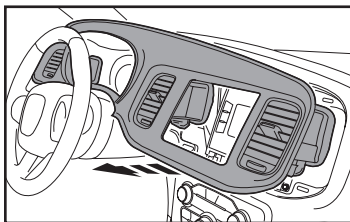
- Panel removal tool • Phillips screwdriver
- 9/32" Socket wrench • Cutting tool
- 1/8" drill bit

Attention: With the key out of the ignition, disconnect the negative battery terminal before installing this product. Ensure that all installation connections, especially the air bag indicator lights, are plugged in before reconnecting the battery or cycling the ignition to test this product.
NOTE: Refer also to the instructions included with the aftermarket radio.

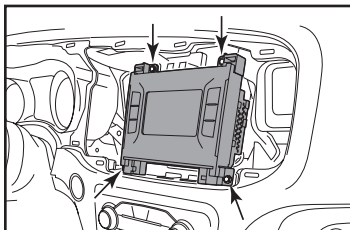
DASH DISASSEMBLY

1. Using the panel removal tool, gently pry around the entire dashboard trim panel surrounding the radio display and instrument cluster. Unclip, unplug and remove the dashboard trim panel. (Figure A)
2. Remove (4) 9/32" screws securing the radio display, disconnect the wiring, and then remove the display. (Figure B)
3. Pull out, unplug, and remove the climate control panel. (Figure C)

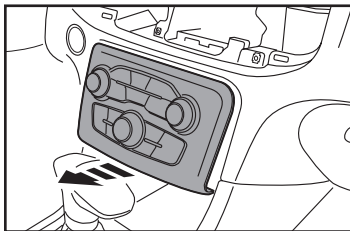
Continue to Kit Preparation



(Figure A)



(Figure B)

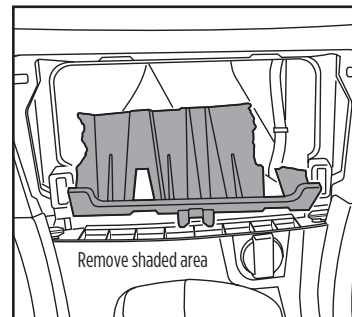


(Figure C)

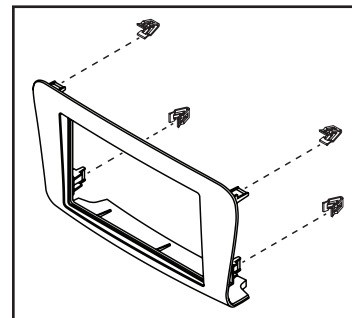
KIT PREPARATION

1. Using a cutting tool, remove the shaded area of the sub-dash to allow room for the aftermarket radio. (Figure A)
Note: Do not cut into snap locations.
2. Attach (4) panel clips provided with this kit onto the new radio trim panel. (Figure B)

Continue to Kit Assembly



(Figure A)

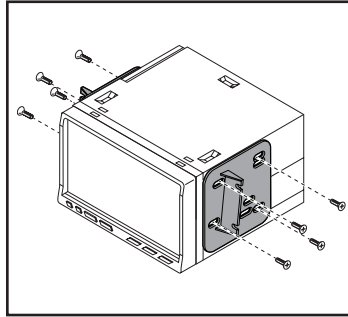


(Figure B)

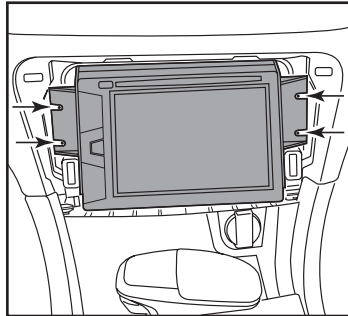
KIT ASSEMBLY

1. Attach the *radio brackets* to the radio using screws supplied with the radio. (Figure A)
Note: The *radio brackets* will rest on the factory dash snap locations and place the radio in the correct location.
2. Place the radio and bracket assembly into the dash opening and test fit the *radio trim panel*. (Figure B)
Note: It is suggested to mark the holes and pre-drill with a 1/8" drill bit.
3. Reconnect the negative battery terminal and prepare for the Axxess interface installation.

Continue Axxess Interface Installation



(Figure A)



(Figure B)

AXXESS INTERFACE INSTALLATION

INTERFACE FEATURES

- Provides accessory power (12-volt 10-amp)
- Retains R.A.P. (retained accessory power)
- Provides NAV outputs (parking brake, reverse, speed sense)
- Retains audio controls on the steering wheel
- Retains safety chimes
- Retains the factory backup camera
- Retains the factory AUX-IN jack
- Retains balance and fade (Non-amplified models only)
- USB retention (with replacement parts included)
- Micro-B USB updatable

Note: Does not support surround camera (360) switching.

INTERFACE COMPONENTS

LD-CH5-T7	Chrysler car side harness for 7" touchscreen
LD-2NAVAMPL	Radio input harness
LD-SWC-F3.5	Female 3.5mm adaptor
LD-TSCREENVID	4 pin camera input harness
LD-CHRYUSBAUX	USB knockout replacement harness

TABLE OF CONTENTS

Connections.....	5-7
Installation	8
Programming.....	9
Touchscreen display operation	10-12
Steering wheel control settings	13-14
LED Feedback Legend.....	14-15
Troubleshooting.....	15
Final assembly	16

TOOLS REQUIRED

- Crimping tool and connectors, or solder gun, solder, and heat shrink
- Tape
- Wire cutter
- Zip-ties

CONNECTIONS

For models without a factory amplifier:

From the 16-pin harness with stripped leads to the aftermarket radio, connect as indicated:

- **Red** wire to the accessory wire.
- **Orange/White** wire to the illumination wire. (if applicable)
- **Gray** wire to the right rear (+) speaker output.
- **Gray/Black** wire to the right rear (-) speaker output.
- **White** wire to the left rear (+) speaker output.
- **White/Black** wire to the left rear (-) speaker output.

The following (3) wires are only for multimedia/navigation radios that require these wires.

- **Blue/Pink** wire to the VSS/speed sense wire.
- **Green/Purple** wire to the reverse wire.
- **Light Green** wire to the parking brake wire.

Tape off and disregard the following wires, they will not be used in this application:

Blue/White, Green, Green/Black, Purple, Purple/Black, Brown

From the car side harness to the aftermarket radio, connect as indicated:

- **Black** wire to the ground wire.
- **Yellow** wire to the battery wire.
- **Gray** wire to the right front (+) speaker output.
- **Gray/Black** wire to the right front (-) speaker output.
- **White** wire to the left front (+) speaker output.
- **White/Black** wire to the left front (-) speaker output.
- **Red** and **White** RCA jacks to the audio AUX-IN jacks of the aftermarket radio. (if applicable)
- **Yellow** RCA jack to the reverse camera input, if retaining the factory backup camera.
- Leave the (2) 4-pin Molex connectors together.

Continued on the next page

For models with a factory amplifier:

From the 16-pin harness with stripped leads to the aftermarket radio, connect as indicated:

- **Red** wire to the accessory wire.
- **Blue/White** wire to the amp turn on wire.
- **Note:** This wire must be connected to hear sound from the factory amplifier.
- **Orange/White** wire to the illumination wire. (if applicable)

The following (3) wires are only for multimedia/navigation radios that require these wires.

- **Blue/Pink** wire to the VSS/speed sense wire.
- **Green/Purple** wire to the reverse wire.
- **Light Green** wire to the parking brake wire.

Tape off and disregard the following wires, they will not be used in this application:

Gray, Gray/Black, White, White/Black, Green, Green/Black, Purple, Purple/Black, Brown

From the car side harness to the aftermarket radio, connect as indicated:

- **Black** wire to the ground wire.
- **Yellow** wire to the battery wire.
- **Gray** wire to the right front (+) speaker output.
- **Gray/Black** wire to the right front (-) speaker output.
- **White** wire to the left front (+) speaker output.
- **White/Black** wire to the left front (-) speaker output.
- **Green** wire to the left rear (+) speaker output.
- **Green/Black** wire to the left rear (-) speaker output.
- **Purple** wire to the right rear (+) speaker output.
- **Purple/Black** wire to the right rear (-) output.
- **Red** and **White** RCA jacks to the audio AUX-IN jacks of the aftermarket radio. (if applicable)
- **Yellow** RCA jack to the reverse camera input, if retaining the factory backup camera.
- Disconnect the 4-pin Molex connectors and plug in the male 4-pin harness with stripped leads.

Continued on the next page

3.5mm jack steering wheel control retention:

The 3.5mm jack is to be used to retain audio controls on the steering wheel control.

- **For the radios listed below:** Connect the included **female 3.5mm connector with stripped leads**, to the male 3.5mm SWC jack from the car side harness. Any remaining wires tape off and disregard:

- **Eclipse:** Connect the steering wheel control wire, normally **Brown**, to the **Brown/White** wire of the connector. Then connect the remaining steering wheel control wire, normally **Brown/White**, to the **Brown** wire of the connector.
- **Metra OE:** Connect the steering wheel control Key 1 wire (**Gray**) to the **Brown** wire.
- **Kenwood or select JVC with a steering wheel control wire:** Connect the **Blue/Yellow** wire to the **Brown** wire.

Note: If your **Kenwood** radio auto detects as a **JVC**, manually set the radio type to **Kenwood**. See the instructions under changing radio type.

- **XITE:** Connect the steering wheel control SWC-2 wire from the radio to the **Brown** wire.
- **Parrot Asteroid Smart or Tablet:** Connect the 3.5mm jack into the AX-SWC-PARROT (sold separately), and then connect the 4-pin connector from the AX-SWC-PARROT into the radio.

Note: The radio must be updated to rev. 2.1.4 or higher software.

- **Universal “2 or 3 wire” radio:** Connect the steering wheel control wire, referred to as Key-A or SWC-1, to the **Brown** wire of the connector. Then connect the remaining steering wheel control wire, referred to as Key-B or SWC-2, to the **Brown/White** wire of the connector. If the radio comes with a third wire for ground, disregard this wire.

Note: After the interface has been programmed to the vehicle, refer to the manual provided with the radio for assigning the SWC buttons. Contact the radio manufacturer for more information.

- **For all other radios:** Connect the 3.5mm jack into the port on the radio designated for an external steering wheel control interface. Refer to the manual provided with the radio if in doubt as to where the 3.5mm jack connects.

4-pin harness (LD-TSCREENVID) with yellow RCA jacks:

- If retaining the factory backup camera to the touchscreen display is desired, connect the **Yellow** RCA jack labeled “Rearview camera”, to the **Yellow** RCA jack from the 6552 harness.
- Disregard the **Yellow** RCA jack labeled “AUX video”, it will not be used in this application.

Replacing the factory Media hub with the LD-CHRYUSBAUX1 USB knockout replacement harness:

1. Using the panel removal tool, unsnap and remove the back of the center console.
2. Remove (2) Phillips screws from the floor console duct and remove the duct from the console.
3. Disconnect the plugs from the media hub.
4. Compress each side of the tabs on the media hub housing and push up into the console to remove the housing.
5. Install the LD-CHRYUSBAUX1 USB knockout replacement harness through the factory location and route the harness up to the new aftermarket radio location.

Continue to Installation

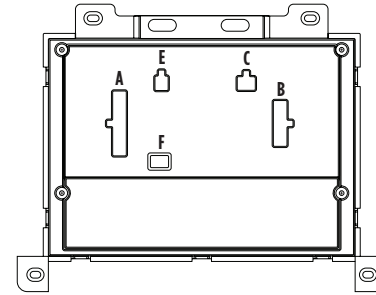
INSTALLATION

It is highly advisable to read the following steps beforehand, to ensure a clear understanding of what is to be expected. The following steps must be done in the order that they are numbered.

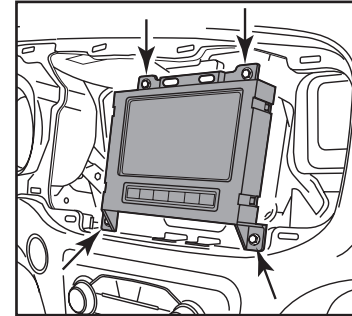
With the vehicle completely off:

1. Connect the **16-pin harness with stripped leads** into port “B” in the touchscreen display.
2. Insert the car side harness into port “A” on the touchscreen display.
Attention: Do not install this harness to the wiring harness in the vehicle until step 1 of the **Programming** section.
3. Connect the **4-pin harness with yellow RCA jacks** into port “C” in the touchscreen display.
4. Connect the **2-pin harness** into port “E” on the touchscreen display, and then to the wiring harness in the vehicle.
5. Port “F” is an update port for future firmware upgrades. (Figure A)
6. Secure the touchscreen to the dash using the factory screws. (Figure B)

Continue to Programming



(Figure A)



(Figure B)

PROGRAMMING

1. Connect the car side harness to the wiring harnesses in the vehicle.
Note: This is a timed process.
 2. Press the push-to-start button to start the vehicle.
 3. Program the kit:
 - a. Once the touchscreen display loads up, select the vehicle type.
 - b. Wait until the radio comes on, and the touchscreen display shows SWC Configured.
 4. This process may take up to (3) minutes.
Note: If the touchscreen display does not load up, or the radio doesn't come on within (3) minutes, and/or the touchscreen display does not show **SWC Configured**, check all connections, then reset the interface and try again. Refer to the **Troubleshooting** section.
 5. Cycle the key off. If the driver's door is closed, open and close the door. Cycle the key back on.
 6. Test all functions of the installation for proper operation, before reassembling the dash.
- Note:** The clock and compass in the driver's information center will no longer be functional.

Continue to Touchscreen Display Operation

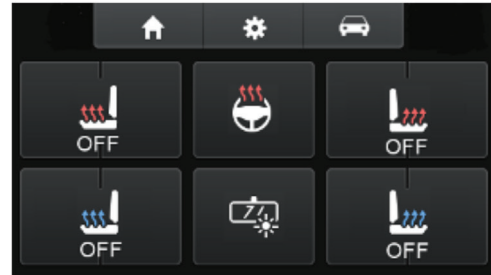
TOUCHSCREEN DISPLAY OPERATION

Climate Control screen



- This is the **Climate Control** screen which will be displayed on the touchscreen display. This is considered the Main Menu.
- The upper left tab with (3) arrows will take you to the screen where the Heated/Cooled Seats, Heated Steering, and Mirror Dimming are now placed, if applicable.
- The upper right tab with a gear icon will take you to the Settings screen.
- The climate controls will function in the same manner that they did with the factory climate controls.

Heated Seats screen



From the **Heated Seats** screen press the car icon on the upper right hand side of the screen to enter the hard button screen.

Continued on the next page

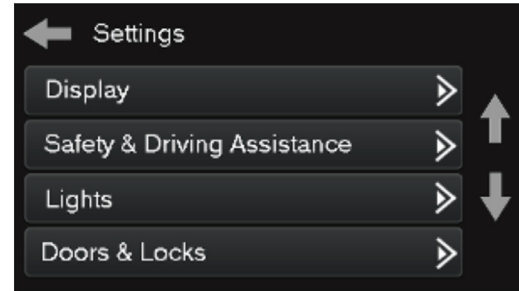
TOUCHSCREEN DISPLAY OPERATION (CONT.)

Hard Button screen



Note: Only applicable icons will show on this screen

Settings screen



Display

- Backlight - For controlling the color of the buttons and back-light intensity.
- Language
- Units

Safety & Driving Assistance - Factory features

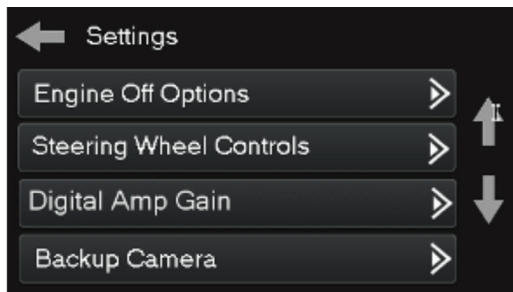
Lights - Factory features

Doors & Locks - Factory features

Continued on the next page

TOUCHSCREEN DISPLAY OPERATION (CONT.)

Settings screen cont.



Engine Off Options – Factory features.

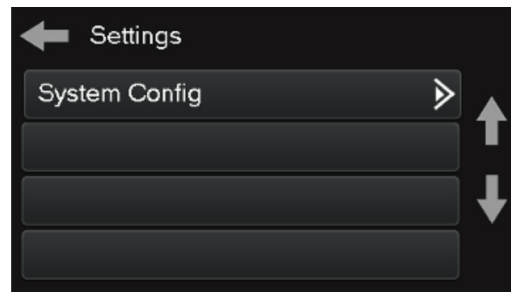
Steering Wheel Controls

- Remap Buttons – For remapping the steering wheel control buttons.
- Dual Assign – For dual assigning the steering wheel control buttons. (long button press).
- Select Radio – For auto detecting the radio, or changing the radio type.

Digital Amp Gain – For adjusting the output gain to the amplifier.
Disabled by default.

Backup Camera

- Enables/disables the backup camera image to the touchscreen display. Disabled by default.



System Configuration

- About – Information regarding the software in the kit.
- Reset Vehicle Type – To reset the kit to default settings.
- Comfort Options Override – Provides the ability to disable/enable certain factory options.

Continue to Steering Wheel Control Settings

STEERING WHEEL CONTROL SETTINGS

Remap Buttons screen

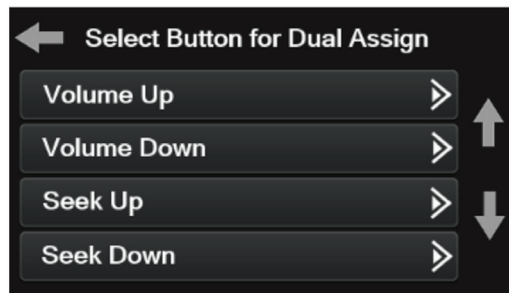


Remap Buttons

- The interface has the ability to change the button assignment for the steering wheel control audio buttons, except Volume-Up and Volume-Down. Follow the prompts on the touchscreen display to remap the steering wheel control audio button(s) to your liking.

Note: The aftermarket radio may not have all of these commands. Please refer to the manual provided with the radio, or contact the radio manufacturer, for specific commands recognized by that particular radio.

Dual Assign screen



Dual Assign

- The interface has the capability to assign two functions to a single button, except Volume-Up and Volume-Down. Follow the prompts on the touchscreen display to program the button(s) to your liking.

Note: Seek-Up and Seek-Down come programmed as Preset-Up and Preset-Down for a long button press.

Continued on the next page

Select Radio



- To show which brand radio is “auto detected” to the interface, press the “Autodetect” button. The radio detected will have a filled in circle. If the incorrect radio is shown, select the proper radio.

LIST OF RADIO MANUFACTURERS

The (23) **Red LED** flashes represent a different radio manufacturer for the **SWC interface** to detect. For example, if you are installing a **JVC** radio, the **SWC interface** will flash **Red** (5) times, then stop. Following is the **LED Feedback Legend**, which indicates the flash count of the radio manufacturer.

LED Feedback Legend	
Flash Count	Radio
1	Eclipse (type 1) †
2	Kenwood ‡
3	Clarion (type 1) †
4	Sony / Dual
5	JVC
6	Pioneer / Jensen
7	Alpine *
8	Visteon
9	Valor
10	Clarion (type 2) †
11	Metra OE
12	Eclipse (type 2) †
13	LG
14	Parrot **
15	XITE
16	Philips
17	TBA
18	JBL
19	Insane
20	Magnadyne
21	Boss
22	Axxera
23	Axxera (type 2)

LED FEEDBACK LEGEND (CONT.)

KEYNOTES

* If the **SWC interface** flashes **Red** (7) times, and an **Alpine** radio is not installed, that means there is an open connection not accounted for. Verify that the 3.5mm jack is connected to the correct steering wheel jack/wire in the radio.

** The **AXSWCH-PAR** is required (sold separately). Also, the software in the radio must be rev. 2.1.4 or higher.

† If a **Clarion** or **Eclipse** radio is installed and the steering wheel controls do not function, change the radio to **Clarion (type 2)** or **Eclipse (type 2)** respectively. If the steering wheel controls still do not function, refer to the **Changing Radio Type** document available at axessinterfaces.com.

‡ If a **Kenwood** radio is installed and the LED feedback flashes (5) times instead of (2), manually change the radio type to **Kenwood**. To do this, refer to the **Changing Radio Type** document available at axessinterfaces.com.

TROUBLESHOOTING

Resetting the interface

Option # 1

1. With everything connected and the car running, hold the bottom two (2) buttons for (3) seconds, then release. (Figure A)

Note: The screen will turn black and then the vehicle selection screen will appear.

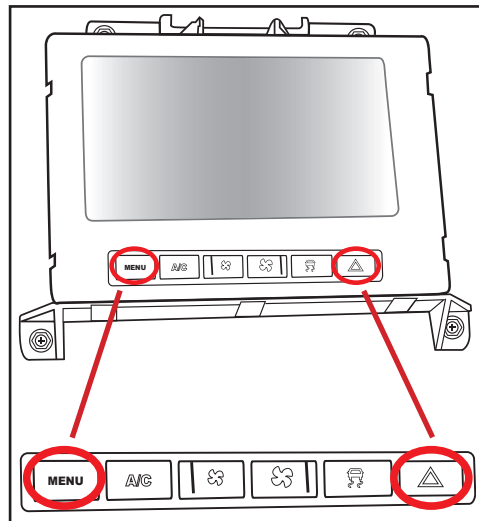
2. Select your vehicle and wait till the “SWC Configured” appears on the screen.

3. Turn ignition off and start vehicle, then test your interface.

Option #2

1. With the vehicle running, press the **Reset Vehicle Type** button mentioned in **System Configuration**.

2. Refer to **Programming**, step 3, from this point on.

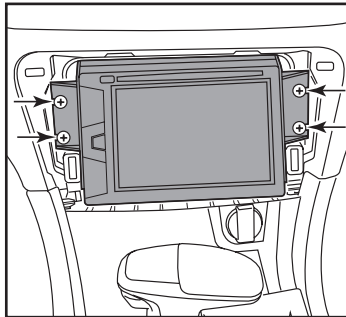


(Figure A)



FINAL ASSEMBLY

1. Secure the radio to the dash with the provided screws.
Note – route screen wiring up above radio to screen location. (Figure A)
2. Snap the radio trim panel over the radio.
3. Reassemble the dash in reverse order of disassembly to complete the installation.



(Figure A)

Having difficulties? We're here to help.



Contact our Tech Support line at:

386-257-1187



Or via email at:

techsupport@metra-autosound.com

Tech Support Hours (Eastern Standard Time)

Monday - Friday: 9:00 AM - 7:00 PM

Saturday: 10:00 AM - 5:00 PM

Sunday: 10:00 AM - 4:00 PM



**Metra recommends MECP
certified technicians**



Dodge Charger 2015 y mas

Visite MetraOnline.com para más información acerca del producto y las aplicaciones específicas más actualizadas del vehículo

CARACTERÍSTICAS DEL KIT

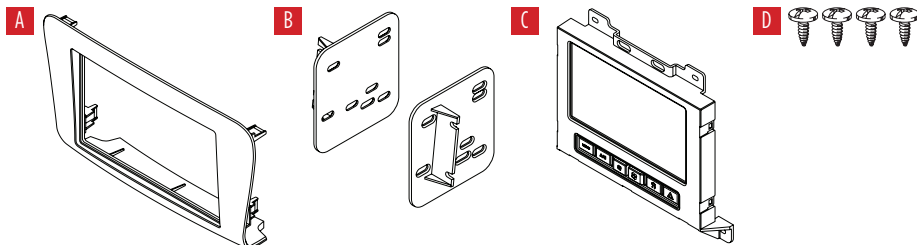
- Provisión de radio ISO DDIN
- Pantalla táctil de 7 pulgadas con funciones de clima y personalización
- Incluye la interfaz de Axxess con funciones de clima y volante
- Pintura negro mate

Nota: • No retiene el sonido de **Driver Convenience Group.**

- Se perderán las funciones de seguimiento y control de lanzamiento del **Paquete SRT.**

COMPONENTES DEL KIT

- (A) Panel de moldura para radio • (B) Soportes del radio • (C) Pantalla táctil de 7" y panel de botones • (D) Tornillos Phillips del radio al tablero (4)
- No mostrado: Juego de arneses, Panel de cambio de USB



INDICE

Desmontaje del tablero	2
Preparación del kit	2
Ensamble del kit	3
Instalación de la interfaz Axxess.....	4-15
Ensamble final	16

CABLEADO Y CONEXIONES DE ANTENA

- Arnés de cableado: • Incluido con el kit
- Adaptador de antena: • Incluido con el kit
- Interfaz de control del volante: • Incluido con kit

HERRAMIENTAS NECESARIAS

- Broca de 1/8" • Llave de tubo de 9/32"
- Herramienta de corte • Destornillador Phillips
- Herramienta para retiro de paneles

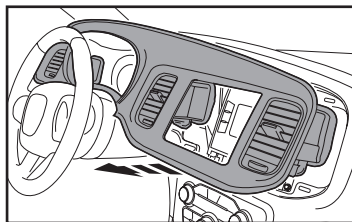
ATENCIÓN: Con la llave fuera del encendido, desconecte el terminal negativo de la batería antes de instalar este producto. Asegúrese de que todas las conexiones de la instalación, especialmente las luces indicadoras de las bolsas de aire, estén enchufadas antes de volver a conectar la batería o encender y apagar para probar este producto.

NOTA: Consulte también las instrucciones incluidas con el radio de mercado secundario.

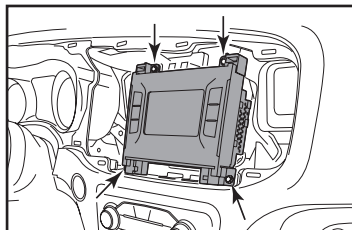
DESMONTAJE DEL TABLERO

1. Desenganche y quite el panel de moldura del tablero que rodea la pantalla del radio y el panel de instrumentos. (Figura A)
2. Quite los (4) tornillos de 9/32" que fijan la pantalla del radio. Después, desconecte y quite la pantalla. (Figura B)
3. Desenganche, desconecte y quite el panel de control de clima. (Figura C)

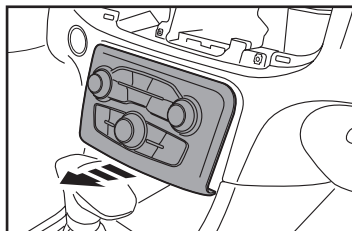
Continúe Con La Preparación Del Kit



(Figura A)



(Figura B)

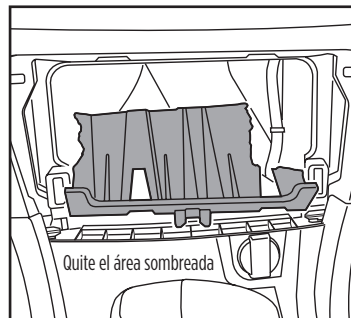


(Figura C)

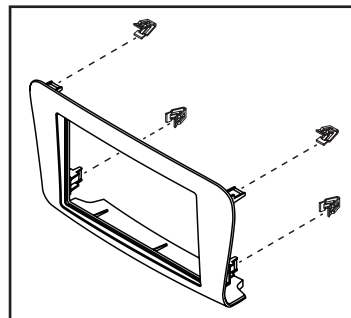
PREPARACIÓN DEL KIT

1. Corte el sub-tablero para dejar espacio para el radio genérico. (Figura A)
Nota: no corte en las ubicaciones de colocación a presión.
2. Quite los ganchos del control de clima de fábrica y fíjelos al **panel de moldura para radio**. (Figura B)

Continúe Con El Ensamble Del Kit



(Figura A)



(Figura B)

ENSAMBLE DEL KIT

1. Fije los soportes de la radio a la radio utilizando los tornillos suministrados con la radio. (Figura A)

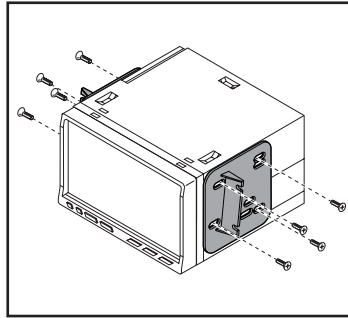
Nota: Los soportes de la radio descansarán sobre las ubicaciones de ajuste del tablero de fábrica y coloque la radio en la ubicación correcta.

2. Coloque el conjunto de radio y soporte en la abertura del tablero y pruebe el ajuste del panel de moldura del radio. (Figura B)

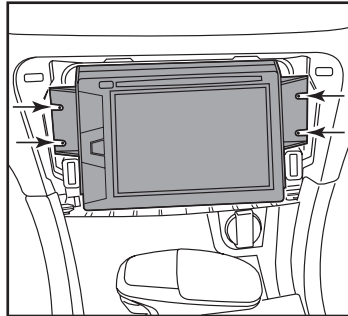
Nota: Se sugiere marcar los agujeros y pretaladrar con una broca de 1/8".

3. Vuelva a conectar el terminal negativo de la batería y prepárese para la instalación de la interfaz Axxess.

Continúa Con La Instalación De La Interfaz Axxess



(Figura A)



(Figura B)

INSTALACIÓN DE LA INTERFAZ AXCESS

CARACTERÍSTICAS DE LA INTERFAZ

- Incluye energía secundaria (12 voltios 10 amperes)
- Conserva R.A.P. (corriente secundaria conservada)
- Cuenta con salidas NAV (freno de mano, reversa, sensor de velocidad)
- Conserva los controles de audio en el volante
- Conserva los tonos de seguridad
- Conserva la cámara de reversa de fábrica
- Conserva la entrada AUX-IN de fábrica
- Conserva el balance y la intensidad** únicamente en modelos no amplificados.
- Conserva el USB (con piezas de repuesto incluidas)
- Actualizable por Micro-B USB

Nota: No es compatible con los cambios de cámara de vista panorámica (360).

COMPONENTES DE LA INTERFASE

- LD-CH5-T7 Arnés lateral de autos modelo Chrysler para pantalla táctil de 7"
- LD-2NAVAMPL Arnés de entrada de radio
- LD-SWC-F3.5 Adaptador de 3.5 mm hembra
- LD-TSCREENVID Arnés de entrada de cámara con 4 clavijas
- LD-CHRYUSBAUX Arnés de repuesto de agujero ciego USB

INDICE

Conexiones	5-7
Instalación	8
Programación	9
Operación de la pantalla táctil.....	10-12
Configuraciones de controles en volante.....	13-14
Resolución de problemas	14-15
Ensamble final	16

HERRAMIENTAS NECESARIAS

- Herramienta de engatillado y conectores o pistola de soldadura, soldadora y tubo termorretráctil • Cinta • Cortador de tubos • Abrazaderas plásticas

CONEXIONES

Para los modelos sin amplificador de fábrica:

Desde el arnés de 16 pines con cables pelados al radio de mercado secundario, conecte como se indica:

- Cable **Rojo** al cable accesorio.
- Cable **Naranja/Blanco** al cable de iluminación. (si es aplicable)
- Cable **Gris** a la salida del altavoz trasero derecho (+).
- Cable **Gris/Negro** a la salida del altavoz trasero derecho (-).
- Cable **Blanco** a la salida del altavoz trasero izquierdo (+).
- Cable **Blanco/Negro** a la salida del altavoz trasero izquierdo (-). bocina.

Los siguientes (3) cables únicamente sirven con los radios multimedia / de navegación que necesitan estos cables.

- Cable **Azul/Rosa** al cable de detección de velocidad/VSS.
- Cable **Verde/Púrpura** al cable inverso.
- Cable **Verde Claro** al cable del freno de estacionamiento.

Encinte e ignore los siguientes cables, no se utilizarán en esta aplicación:

Azul con Blanco, Verde, Verde con Negro, Morado, Morado con Negro, Café

Desde el arnés lateral del automóvil hasta la radio de mercado secundario, conecte como se indica:

- Cable **Negro** al cable de tierra.
- Cable **Amarillo** al cable de la batería.
- Cable **Gris** a la salida del altavoz delantero derecho (+).
- Cable **Gris/Negro** a la salida del altavoz delantero derecho (-).
- Cable **Blanco** a la salida del altavoz delantero izquierdo (+).
- Cable **Blanco/Negro** a la salida del altavoz delantero izquierdo (-).
- RCA **Rojo y Blanco** a los conectores AUX-IN de audio de la radio de mercado secundario. (si es aplicable)
- RCA **Amarillo** a la entrada de la cámara de reversa, si conserva la cámara de reversa de fábrica.
- Deje los (2) conectores Molex de 4 pines juntos.

Continúa en la siguiente página

Para los modelos con amplificador de fábrica:

Desde el arnés de 16 clavijas con entradas peladas hacia el radio genérico:

- Conecte el cable **Rojo** al cable de accesorio.
- Conecte el cable **Azul con Blanco** al cable de encendido del amplificador. Este cable deberá estar conectado al sonido del amplificador de fábrica.
- Si el radio genérico tiene un cable de iluminación, conecte el cable **Naranja con Blanco** a este cable.

Los siguientes (3) cables únicamente sirven con los radios multimedia / de navegación que necesitan estos cables.

- Conecte el cable **Azul con Rosa** al cable VSS / sensor de velocidad.
- Conecte el cable **Verde** con morado al cable de reversa.
- Conecte el cable **Verde Claro** al cable del freno de mano

Coloque cinta y deseche los siguientes cables porque no se usarán en esta aplicación:

Gris, Gris con Negro, Blanco, Blanco con Negro, Verde, Verde con Negro, Morado, Morado con Negro, Café

Desde el arnés lateral del auto al radio genérico:

- Conecte el cable **Negro** al cable de tierra.
- Conecte el cable **Amarillo** al cable de la batería.
- Conecte el cable **Gris** a la salida positiva delantera derecha de la bocina.
- Conecte el cable **Gris con Negro** a la salida negativa delantera derecha de la bocina.
- Conecte el cable **Blanco** a la salida positiva delantera izquierda de la bocina.
- Conecte el cable **Blanco con Negro** a la salida negativa delantera izquierda de la bocina.
- Desconecte los conectores Molex de 4 clavijas y conéctelos al arnés macho de 4 clavijas con puntas peladas.
- Conecte el cable **Verde** a la salida positiva trasera izquierda de la bocina.
- Conecte el cable **Verde con Negro** a la salida negativa trasera izquierda de la bocina.
- Conecte el cable **Morado** a la salida positiva trasera derecha de la bocina.
- Conecte el cable **Morado con Negro** a la salida negativa trasera izquierda.
- Si desea utilizar el puerto AUX-IN en el tablero, conecte las entradas RCA **Roja y Blanca** a las entradas de audio AUX-IN del radio genérico.
- Si va a conservar la cámara de reversa de fábrica, conecte la entrada RCA **Amarilla** a la entrada de la cámara de reversa.

Continúa en la siguiente página

Conservación del control en volante con entrada de 3.5 mm:

La entrada de 3.5 mm deberá usarse para conservar los controles de audio en los controles del volante.

- **Para los radios que se mencionan a continuación:** Conecte el **conector hembra de 3.5 mm incluido con las puntas peladas** al conector macho SWC de 3.5 mm desde el arnés lateral del auto. Coloque cinta a todos los cables restantes y descártelos:

- **Eclipse:** Conecte el cable de control en volante, que suele ser **café**, al cable **café con blanco** del conector. Después, conecte el cable del control en volante restante, que suele ser **café con blanco**, al cable **café** del conector.
- **Metra OE:** Conecte el cable Key 1 del control en volante (**gris**) al cable **café**.
- **Kenwood o algunos modelos JVC con cable de control en volante:** Conecte el cable **azul** con **amarillo** al cable **café**.

Nota: Si su radio **Kenwood** detecta automáticamente que es **JVC**, configure manualmente el tipo de radio para asignarlo a **Kenwood**. Consulte las instrucciones que se encuentran en la sección “Cambiar tipo de radio”.

- **XITE:** Conecte el cable SWC-2 del control en volante del radio al cable **café**.
- **Parrot Asteroid Smart o Tablet:** Conecte la entrada de 3.5 mm al AX-SWC-PARROT (se vende por separado). Después, conecte el conector de 4 clavijas al AX-SWC-PARROT al radio.

Nota: Deberá actualizar el radio a la versión 2.1.4 o una posterior.

- **Radio universal de “2 o 3 cables”:** Conecte el cable del control en volante, que se llama Key-A o SWC-1, al cable **café** del conector. Después, conecte el cable de control en volante restante, que se llama Key-B o SWC-2, al cable **café con blanco** del conector. Si el radio incluye un tercer cable de tierra, ignore este cable.

Nota: Después de que se haya programado la interfaz con el vehículo, consulte el manual que incluye su radio para saber cómo asignar los botones SWC. Comuníquese con el fabricante del radio para más información.

- **Para todos los demás tipos de radio:** Conecte la entrada de 3.5 mm en el puerto del radio designado para crear una interfaz externa de control en volante. Consulte el manual que incluye el radio en caso de tener dudas sobre el lugar donde debe ir la entrada de 3.5 mm.

Arnés de 4 clavijas con entradas RCA amarillas:

- Si desea conservar la cámara de reversa de fábrica que va hacia la pantalla táctil, conecte la entrada RCA **amarilla** que está marcada como “Cámara retrovisora” a la entrada RCA **amarilla** del arnés 6552.
- Ignore la entrada RCA **amarilla** marcada como “AUX de video” ya que no se usará en esta aplicación.

Cambio del concentrador de medios de fábrica por el arnés de repuesto de agujero ciego USB LD-CHRYUSBAUX1:

1. Con una herramienta de palanca, separe a presión y quite la parte trasera de la consola central.
2. Quite los dos tornillos del tubo de la consola del piso y quítelos de la consola.
3. Desconecte los conectores del concentrador de medios.
4. Comprima cada lado de las lengüetas en la carcasa del concentrador de medios y empujela hacia arriba de la consola para quitarla.
5. Instale el arnés de repuesto de agujero ciego USB LD-CHRYUSBAUX1 a través de la ubicación de fábrica y canalice el arnés hacia arriba, donde se encuentra el lugar destinado para el nuevo radio genérico.

Continúa en instalación

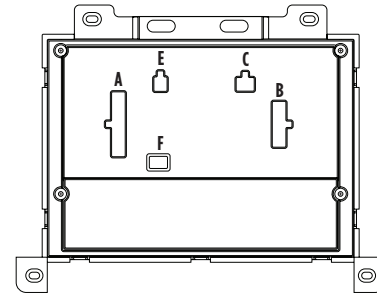
INSTALACIÓN

Se recomienda ampliamente que lea los siguientes pasos antes de realizar el procedimiento para que tenga claro lo que debe hacer y qué esperar. Los pasos que se mencionan a continuación deberán llevarse a cabo en el orden lógico en que aparecen enumerados.

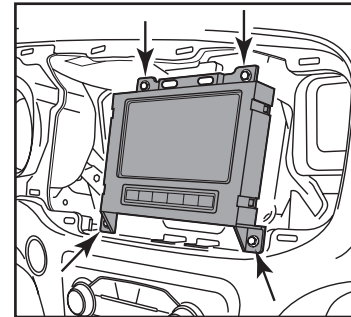
Con el vehículo completamente apagado:

1. Conecte el **arnés de 16 clavijas con las puntas peladas** en el puerto “B” de la pantalla táctil.
2. Inserte el arnés lateral del automóvil en el puerto “A” en la pantalla táctil.
Atención: No instale este arnés en el arnés de cableado del vehículo hasta el paso 1 de la sección Programación.
3. Conecte el arnés de **4 clavijas a las entradas RCA amarillas** en el puerto “C” de la pantalla táctil.
4. Conecte el **arnés de 2 clavijas** al puerto “E” de la pantalla táctil. Después, conéctelo al arnés de cableado del vehículo.
5. El puerto “F” es un puerto de actualización para que reciba futuras actualizaciones de firmware. (Figura A)
6. Fije la pantalla táctil al tablero con los tornillos de fábrica. (Figura B)

Continúa en Programación



(Figura A)



(Figura B)

PROGRAMACIÓN

1. Conecte el arnés lateral del automóvil al arnés de cableado del vehículo.
Nota: Este es un proceso cronometrado.
2. Presione el botón de encendido para encender el vehículo.
3. Programe el kit:
 - a. Cuando se cargue la pantalla táctil, seleccione el tipo de vehículo.
 - b. Espere hasta que se encienda el radio y la pantalla táctil muestre el mensaje “SWC configurado”.

4. Este proceso podría tardar hasta 3 minutos.

Nota: Si la pantalla táctil no carga, si el radio no se enciende dentro de 3 minutos o si la pantalla táctil no muestra la leyenda “**SWC configurado**”, revise todas las conexiones. Después, reinicie la interfaz e inténtelo de nuevo. Consulte la sección “**Resolución de problemas**”.

5. Gire la llave a la posición de apagado. Si la puerta del conductor está cerrada, ábrala y ciérrela. Vuelva a girar la llave para encenderlo.
6. Haga pruebas en todas las funciones de la instalación para confirmar que la instalación se haya realizado correctamente antes de volver a ensamblar el tablero.

Nota: El reloj y la brújula en el centro de información del conductor ya no funcionarán.

Continúe Con La Operación De La Pantalla Táctil

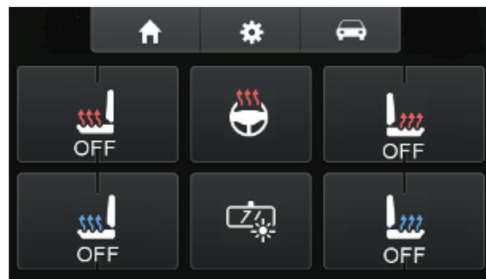
OPERACIÓN DE LA PANTALLA TÁCTIL

Pantalla de control de clima



- Esta es la pantalla de control de clima que se mostrará en la pantalla táctil. Esta recibe el nombre de “Menú principal”.
- La pestaña superior izquierda con (3) flechas le redirigirá a la pantalla en donde se encontrarán los controles de calefacción / ventilación de asientos, calefacción del volante y atenuación de luces de los espejos, si así corresponde.
- La pestaña superior derecha con un ícono de engrane le redirigirá a la pantalla “Configuración”.
- Los controles de clima funcionarán de la misma manera que lo hacían con los controles de clima de fábrica.

Pantalla de calefacción de asientos

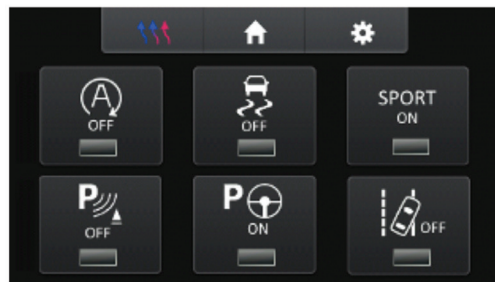


En la pantalla de calefacción de asientos, presione el ícono del auto que se encuentra en el área superior derecha de la pantalla para entrar a la pantalla de botones físicos

Continúa en la siguiente página

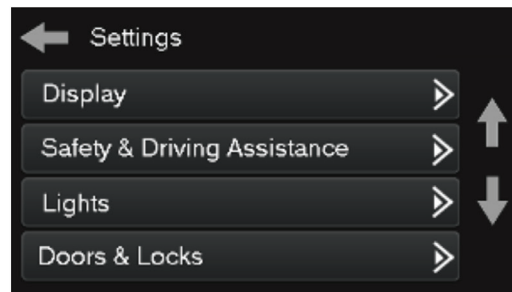
OPERACIÓN DE LA PANTALLA TÁCTIL (CONT.)

Pantalla de botones físicos



Nota: Únicamente aparecerán los íconos correspondientes a esta pantalla

Pantalla “Configuración”



Pantalla

- Retroiluminación. Sirve para controlar el color de los botones, así como la intensidad de la luz de fondo.
- Idioma
- Unidades

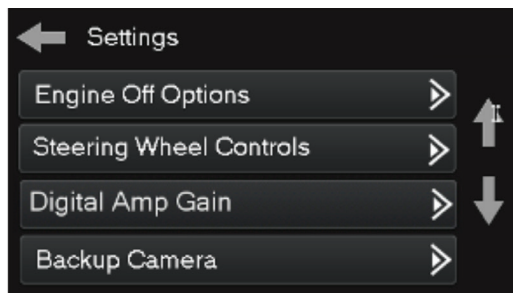
Asistente de seguridad y manejo: características de fábrica

Luces: Características de fábrica

Puertas y seguros: Características de fábrica

Continúa en la siguiente página

Pantalla “Configuración” cont.



Opciones de apagado de motor: características de fábrica

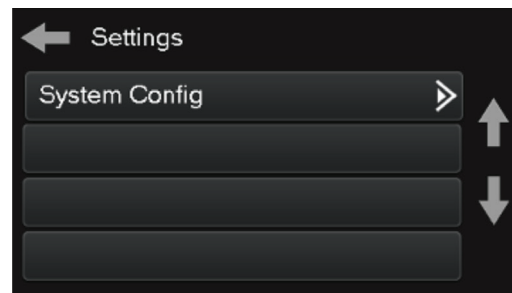
Controles en volante

- Reorganización de botones: sirve para reorganizar los botones de control que se encuentran en el volante
- Funciones secundarias: Para asignar las funciones secundarias que realizarán los botones de control en volante (presión larga de los botones)
- Selección de radio: para activar la detección automática del radio o cambiar el tipo del radio

Ganancia del amplificador digital: para ajustar la ganancia de salida en el amplificador

Cámara retrovisora

- Activa / desactiva la imagen de la cámara retrovisora que aparece en la pantalla táctil. La función está desactivada de forma predeterminada.



Configuración del sistema

- Información: información acerca del software del kit
- Reinicio del tipo de vehículo: reinicia el kit a los ajustes predeterminados
- Anulación de opciones de comodidad: ofrece la posibilidad de activar / desactivar ciertas opciones de fábrica

Continúa En Configuraciones De Controles En Volante

CONFIGURACIONES DE CONTROLES EN VOLANTE

Pantalla de reorganización de botones

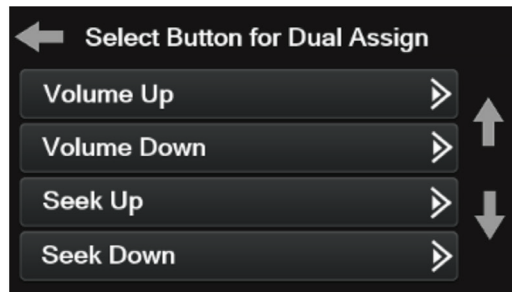


Reorganización de botones

- La interfaz tiene la capacidad de cambiar la asignación de botones en los botones de control de audio del volante, con excepción del aumento y reducción de volumen. Siga las ventanas emergentes que se muestran en la pantalla táctil para reasignar el o los botones de control de audio en el volante según sus preferencias.

Nota: Es posible que el radio genérico no cuente con todos estos comandos. Consulte el manual que incluye el radio o comuníquese con el fabricante del radio para saber qué comandos específicos reconoce el radio en cuestión.

Pantalla de asignación doble



Asignación doble

- La interfaz tiene la capacidad de asignar dos funciones a un único botón, con excepción de aumento y reducción de volumen. Siga las ventanas emergentes que se muestran en la pantalla táctil para programar el o los botones de acuerdo con sus preferencias.

Nota: Buscar anterior y buscar siguiente están programados como arriba y abajo de forma predeterminada con una presión larga de botón

Continúa en la siguiente página

Selección de radio



- Para mostrar qué marca de radio detecta automáticamente la interfaz, presione el botón “Detección automática”. El radio que se haya detectado estará marcado con un círculo lleno. Si se muestra el radio equivocado, seleccione la opción correcta.
- A continuación se incluye una lista de fabricantes de radios que actualmente reconoce la interfaz. Los radios universales de “2 o 3 cables” pueden aparecer en cualquiera de estos fabricantes de radios.

LISTA DE FABRICANTES DE RADIOS

El (23) **LED rojo** los destellos representan un fabricante de radio diferente para que la **interfaz SWC** lo detecte. Por ejemplo, si está instalando una radio **JVC**, la **interfaz SWC** parpadeará en rojo (5) veces y luego se detendrá. A continuación se muestra la **Leyenda de retroalimentación LED**, que indica el conteo de destellos del fabricante de la radio.

LEYENDA DE RETROALIMENTACIÓN LED	
Recuento de Destellos	Radio
1	Eclipse (tipo 1) †
2	Kenwood ‡
3	Clarion (tipo 1) †
4	Sony / Doble
5	JVC
6	Pioneer / Jensen
7	Alpine *
8	Visteon
9	Valor
10	Clarion (tipo 2) †
11	Metra OE
12	Eclipse (tipo 2) †
13	LG
14	Parrot **
15	XITE
16	Philips
17	Por confirmar
18	JBL
19	Insane
20	Magnadyne
21	Boss
22	Axxera
23	Axxerra (tipo 2)

NOTAS CLAVE

** Si la **interfaz SWC** parpadea en **rojo** (7) veces y no hay una radio **Alpine** instalada, eso significa que hay una conexión abierta que no se tiene en cuenta. Verifique que el conector de 3,5 mm esté conectado al conector/cable correcto del volante en la radio.

** Se requiere el **AXSWCH-PAR** (se vende por separado). Además, el software de la radio debe ser rev. 2.1.4 o superior.

† Si se instala una radio **Clarion** o **Eclipse** y los controles del volante no funcionan, cambie la radio a **Clarion (tipo 2)** o **Eclipse (tipo 2)** respectivamente. Si los controles del volante aún funcionan, consulte el documento **Cambio de tipo de radio** disponible en axessinterfaces.com.

‡ Si se instala una radio **Kenwood** y el LED la retroalimentación parpadea (5) veces en lugar de (2), cambie manualmente el tipo de radio a **Kenwood**. Para hacer esto, consulte el documento **Cambio de tipo de radio** disponible en axessinterfaces.com.

Restablecimiento de la interfaz

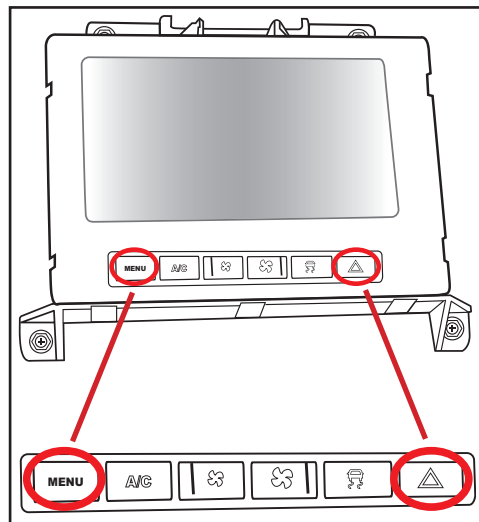
Opción 1

1. Con todo conectado y el coche en marcha.
2. Mantenga presionados los dos (2) botones inferiores durante (3) segundos y luego suéltelos. (Figura A)
Nota: La pantalla se volverá negra y luego aparecerá la pantalla de selección de vehículo.
3. Seleccione su vehículo y espere hasta que aparezca "SWC Configurado" en la pantalla.

4. Apague el encendido y arranque el vehículo, luego pruebe su interfaz.

Opción 2

1. Con el vehículo en marcha, presione el botón Restablecer tipo de vehículo mencionado en Configuración del sistema.
2. Consulte Programación, paso 3, a partir de este momento.

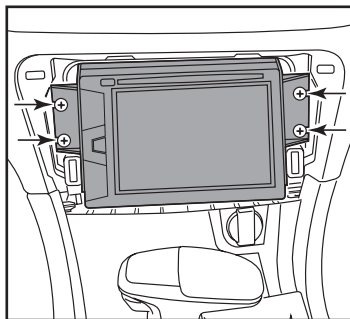


(Figura A)



ENSAMBLE FINAL

1. Asegure el radio de mercado secundario al tablero con los tornillos Phillips para radio al tablero provistos con este kit.
Nota: Pase el cableado de la pantalla por encima del radio hasta la ubicación de la pantalla. (Figura A)
2. Encaje el panel de moldura del radio sobre el radio de mercado secundario.
3. Vuelva a montar el tablero al revés orden de desmontaje para completar el instalación.



(Figura A)

¿Tienes dificultades? Estamos aquí para ayudar.



Póngase en contacto con nuestra línea de soporte técnico en:
386-257-1187



O por correo electrónico a:
techsupport@metra-autosound.com

Horas de soporte técnico (hora estándar del este)

Monday - Friday: 9:00 AM - 7:00 PM

Saturday: 10:00 AM - 5:00 PM

Sunday: 10:00 AM - 4:00 PM



Metra recomienda MECP
técnicos certificados